

Application Note AN-1159

IRS2052M Functional Description

By Jun Honda, Xiao-chang Cheng

Table of Contents

1	IRS2052M General Description.....	2
1.1	Typical Implementation	3
2	Input Section.....	4
2.1	OTA (Operating Trans-conductance Amplifier).....	5
2.2	PWM Modulator.....	5
2.3	Clock Synchronization.....	7
2.4	Click Noise Elimination.....	10
2.5	CSD Voltage and OTA Operational Mode	11
2.6	Self-oscillation Start-up Condition	12
3	MOSFET Selection	13
4	Over Current Protection (OCP)	14
4.1	Protection Control.....	15
4.2	Programming OCP Trip Level	18
5	Over Temperature Protection	23
5.1	Over Temperature Protection Input (OTP).....	23
5.2	On-chip Over Temperature Protection	25
5.3	Over Temperature Warning Output (OTW).....	25
6	Fault Output.....	26
7	CLIP Output.....	26
8	Deadtime Design	27
8.1	How to Determine Optimal Deadtime	27
8.2	Programming Deadtime	28
9	Power Supply Considerations	29
9.1	Supplying V_{AA} and V_{SS}	29
9.2	Recommended Power Supply Configuration for Gate Driver Stage.....	30
9.3	Designing High-side Bootstrap Power Supply	32
9.4	Start-up/Power-down Sequence (UVLO).....	37
9.5	Power Supply Decoupling	38
10	Junction Temperature Estimation.....	39
10.1	P_{MID} : Power Dissipation of the Input Floating Logic and Protection Circuitry	39
10.2	P_{LSM} : Power Dissipation of the Input Level Shifter.....	39
10.3	P_{LOW} : Power Dissipation of Low Side	39
10.4	P_{LSH} : Power Dissipation of the High-side Level Shifter.....	40
10.5	P_{HIGH} : Power Dissipation of High Side	40
10.6	P_D : Total Power Dissipation	40
10.7	T_J : Junction Temperature.....	41
11	Board Layout Considerations	42
11.1	Ground Plane.....	43

1 IRS2052M General Description

The IRS2052M is a two channel Class D audio amplifier driver with integrated PWM modulators and over current protection. Combined with four external MOSFETs and external passive components, the IRS2052M forms two complete Class D amplifiers. The versatile structure of the analog input section with an error amplifier and a PWM comparator has flexibility of implementing different types of PWM modulator schemes.

Loss-less current sensing utilizes $R_{DS(on)}$ of the MOSFETs. The protection control logic monitors the status of the power supplies and load current through each MOSFET.

For the convenience of half bridge configuration, the analog PWM modulator and protection logic are constructed on a floating well.

The IRS2052M implements start-up click noise reduction to suppress unwanted audible noise during PWM start-up and shutdown.

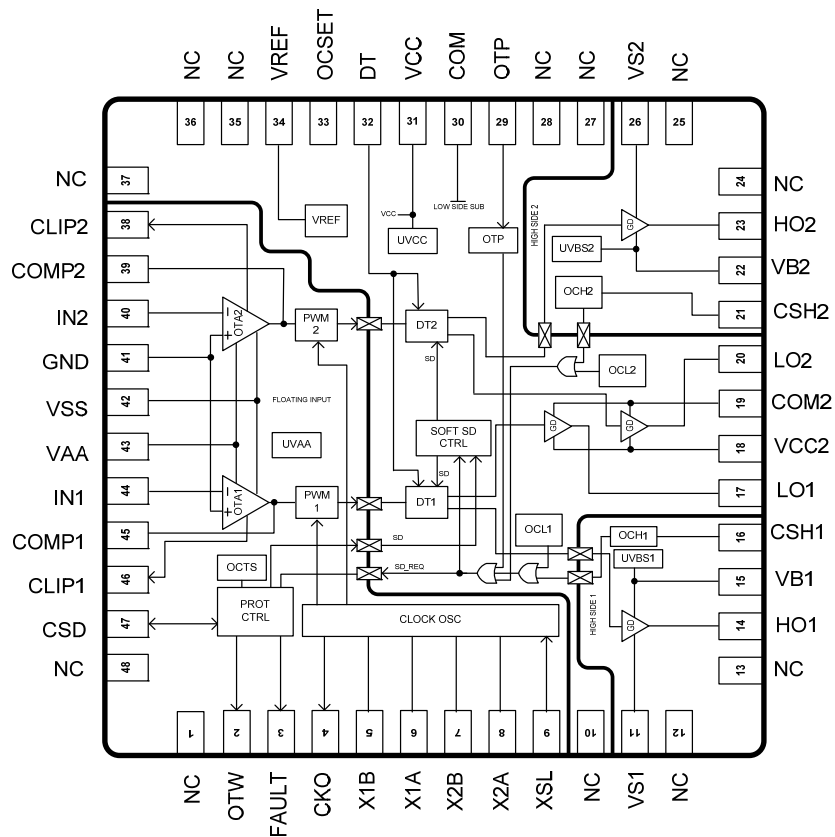


Figure 1 Functional Block Diagram of IRS2052M

1.1 Typical Implementation

The following explanations are based on a typical application circuit with self-oscillating PWM topology shown in Figure 2. For further information on the design, refer to the IRAUDAMP10 reference design.

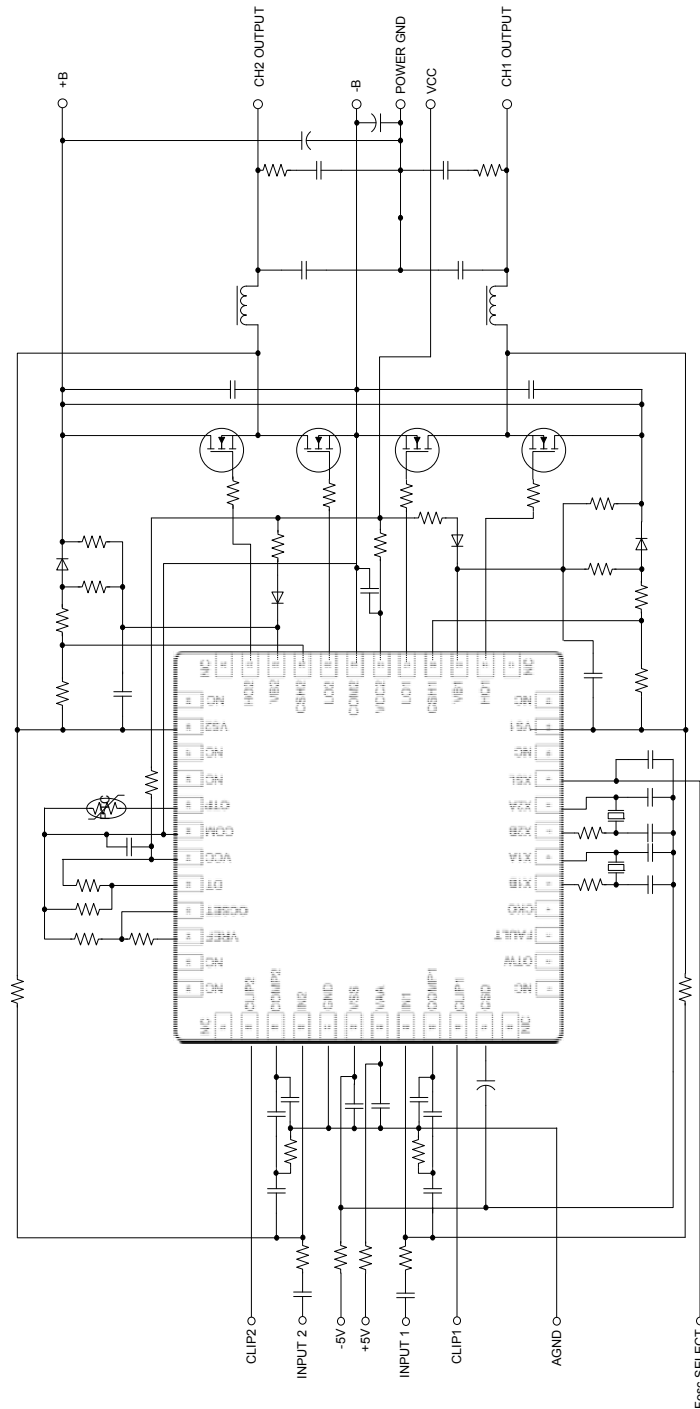


Figure 2 IRS2052M Typical Application Circuit

2 Input Section

The audio input stage of the IRS2052M is configured as an inverting error amplifier.

In Figure 3, the voltage gain of the amplifier G_V is determined by input resistor R_{IN} and feedback resistor R_{FB} .

$$G_V = \frac{R_{FB}}{R_{IN}}$$

Since the feedback resistor R_{FB} is part of an integrator time constant, which determines switching frequency, changing overall voltage gain by R_{IN} is simpler and, therefore, recommended in most cases.

Note that the input impedance of the amplifier is equal to the input resistor R_{IN} .

A DC blocking capacitor $C3$ should be connected in series with R_{IN} to minimize DC offset in the output. Minimizing DC offset is essential for audible noise-less Turn-ON and -OFF. A ceramic capacitor is not recommended due to the potential cause of distortion.

The connection of the non-inverting input $IN+$ is a reference for the error amplifier, and thus is crucial for audio performance. Connect $IN+$ to the signal reference ground in the system, which has the same potential as the negative terminal of the speaker output.

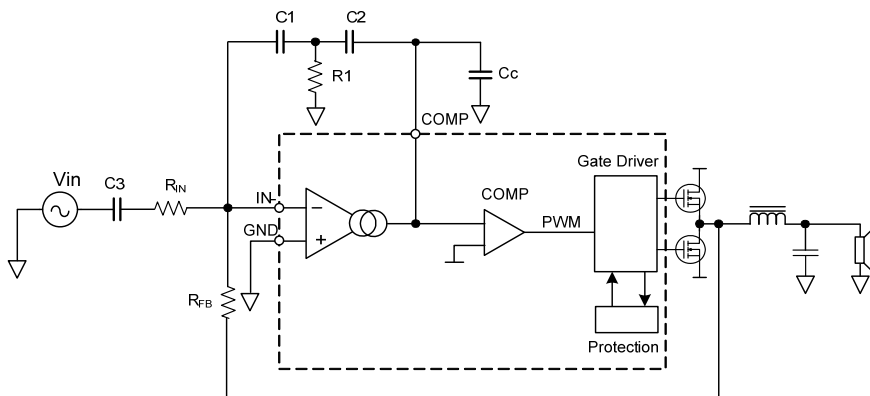


Figure 3 IRS2052M Typical Control Loop Design

2.1 OTA (Operating Trans-conductance Amplifier)

The front-end error amplifier of the IRS2052M features an operational trans-conductance amplifier (OTA), which is carefully designed to obtain optimal audio performance. The OTA outputs a current to the COMP pin, unlike a voltage output in an operational amplifier (OPA). The non-inverting input is internally tied to the GND pin.

The inverting input has clamping diodes to GND to improve recovery from clipping as well as ensuring stable start up. The OTA output COMP is internally connected to the PWM comparator whose threshold is $(V_{AA}-V_{SS})/2$.

For stable operation of the OTA, a compensation capacitor C_c minimum of 1nF is required. The OTA shuts down when $V_{CSD} < V_{th2}$.

2.2 PWM Modulator

The IRS2052M allows the user to choose from numerous ways of PWM modulator implementations. In this section, all the explanations are based on a typical application circuit of a self-oscillating PWM.

2.2.1 Self-Oscillating PWM Modulator Design

The typical application features a self-oscillating PWM scheme. For better audio performance, front end 2nd order integration is chosen.

2.2.2 Self-Oscillating Frequency

Self-oscillating frequency is determined mainly by the following items in Figure 3.

- Integration capacitors, C1 and C2
- Integration resistor, R1
- Propagation delay in the gate driver
- Feedback resistor, R_{FB}
- Duty cycle

The bus voltage and input resistance R_{IN} have little influence on the self-oscillating frequency. Note that as is the nature of a self-oscillating PWM, the switching frequency decreases as PWM modulation deviates from idling.

2.2.3 Determining Self-Oscillating Frequency

Choosing the switching frequency entails making many design trade offs.

At lower switching frequencies, the efficiency at the MOSFET stage improves, but inductor ripple current increases. Also output PWM switching carrier leakage increases.

At higher switching frequencies the efficiency degrades due to switching losses, but wider bandwidth can be achieved. The inductor ripple decreases yet iron losses increase. The junction temperature of the gate driver IC might be a stopper for going to a higher frequency.

For these reasons, 400kHz is chosen for a typical design example, which can be seen in the IRAUDAMP10 reference design.

2.2.4 Choosing External Components Value

For suggested component values of components for a given target self-oscillating frequency, refer to Table 1.

The OTA output has limited voltage and current compliances. This set of component values ensures that the OTA operates within its linear region so optimal THD+N performance can be achieved.

In case the target frequency is somewhere in between the frequencies listed in Table 1, adjust the frequency by tweaking R1, if necessary.

Target Self-Oscillation Frequency (kHz)	C1=C2 (nF)	R1 (ohms)
500	2.2	200
450	2.2	165
400	2.2	141
350	2.2	124
300	2.2	115
250	2.2	102
200	4.7	41.2
150	10	20.0
100	10	14.0
70	22	4.42

Condition: IRS2052M with IRF6665, DS=VAA, Vbus=+/-35V, DT=25ns, RFB=47k.

Table 1 External Component Values vs. Self Oscillation Frequency

2.3 Clock Synchronization

In the PWM control loop design example, the self-oscillating frequency can be set and synchronized to an external clock. This optional feature helps

- To maintain low audio noise floor when adjacent channels oscillating at frequencies close each other.
- To realize desired switching frequencies in order to prevent AM radio interferences.

Through a C-R network C_{CK} and R_{CK} , the internal clock oscillator injects periodic pulsating charges into the integrator stage, forcing oscillation to lock up to the internal clock frequency. To maximize audio performance, the self-running frequency without clock injection should be 5 to 10% higher than the internal clock frequency.

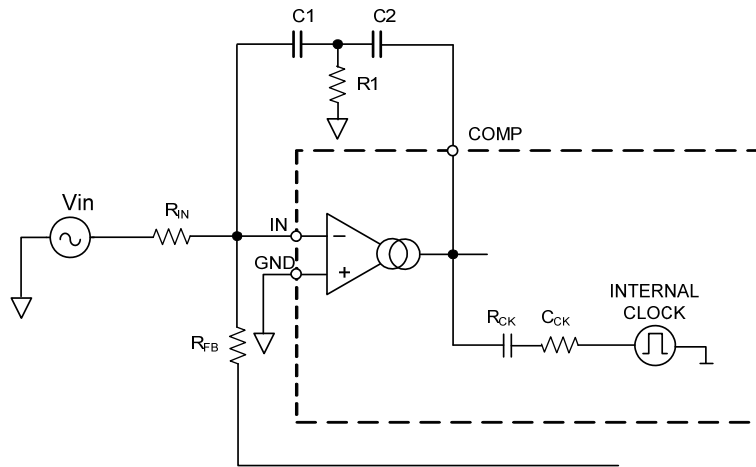


Figure 4 Clock Synchronization

2.3.1 Internal Clock Oscillator

The IRS2052M integrates two clock oscillators and synchronization networks for each PWM channel. To prevent AM radio reception interference, two PWM frequencies are selectable via XSL pin. As shown in Table 2, when XSL is bias to VAA, X1A and X1B are active. When XSL is GND, X2A and X2B are active. When XSL is VSS, both clock oscillators are disabled. This mode is self-oscillating PWM and is also convenient to check self oscillating frequency before clock synchronization is taken place. Unselected inverter(s) is cut off.

XSL pin	X1A/B	X2A/B
VAA	Activated	Disabled
GND	Disabled	Activated
VSS	Disabled	Disabled

Table 2 XSL pin and Clock Oscillation Mode

The inverters INV1 and INV2 are unbuffered (4069UB type) C-MOS single-stage inverters. The clock oscillator is active whenever UVAA is not in under lockout. Recommended ceramic resonators are as follows. CSBLA400KECE-B0 (400kHz, murata, DigiKey 490-1186-ND)

CSBLA480KEC8-B0 (480kHz, murata, DigiKey 490-1188-ND)

Clock signal is internally distributed to PWM modulators in CH1 and CH2. In order to reduce rms values of inductor ripple current in bus capacitor, internal clock is spaced each other by 180 degrees. The internal clock synchronization feature can be disabled by pulling XSL pin down to VSS.

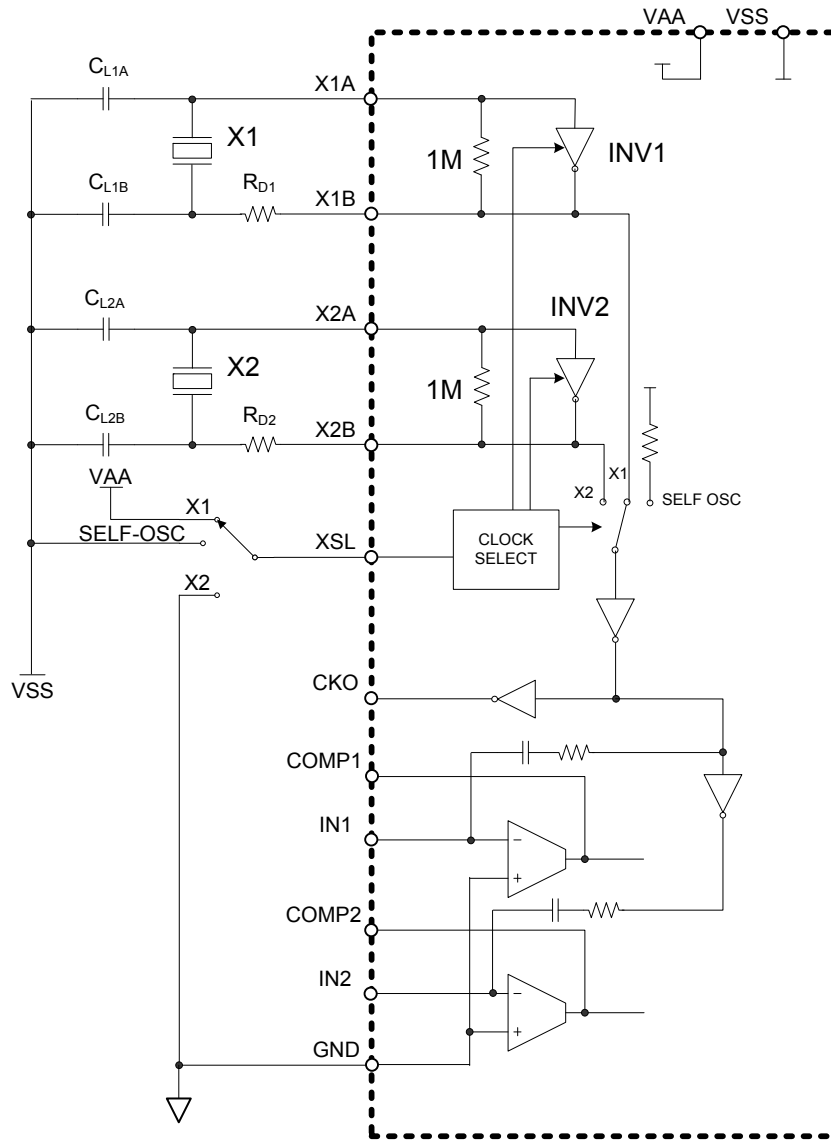


Figure 5 Internal Clock Oscillator

2.3.2 Internal Clock Lock Range

Figure 6 shows how a self-oscillating frequency locks up to an external clock frequency. A design of a 400kHz self-oscillating frequency synchronizes to internal clock whose frequency is within the red border lines.

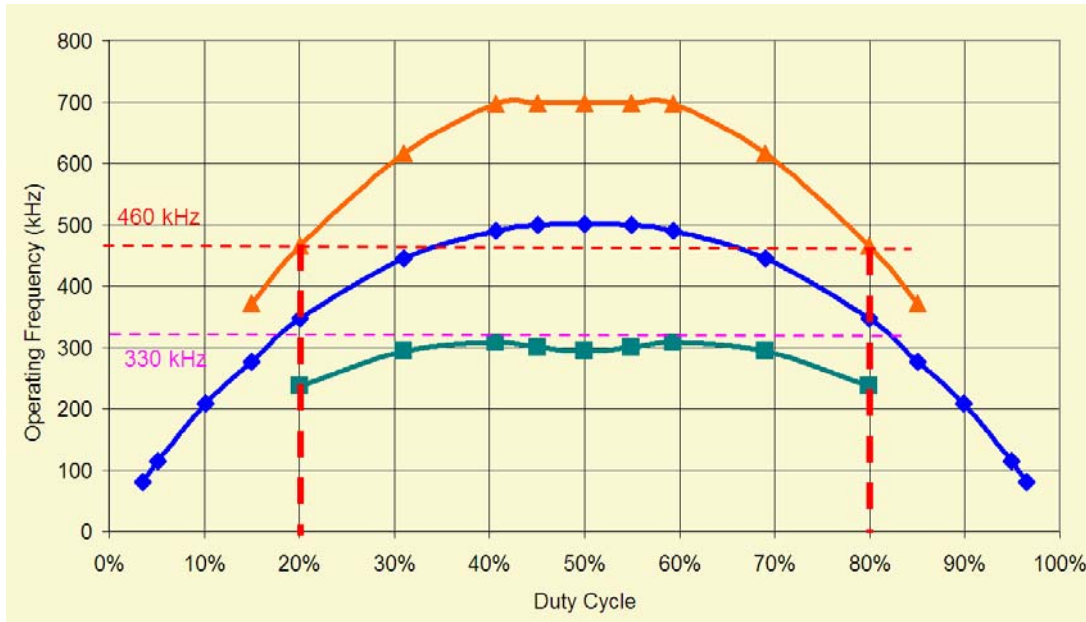


Figure 6 Typical Lock Range to External Clock

2.3.3 Daisy-chained Clock Configuration

When multiple IRS2052M is configured in a master and slave clock mode shown in Figure 7, multiple IRS2052M can be daisy-chained with the first device being a master.

APPLICATION NOTE

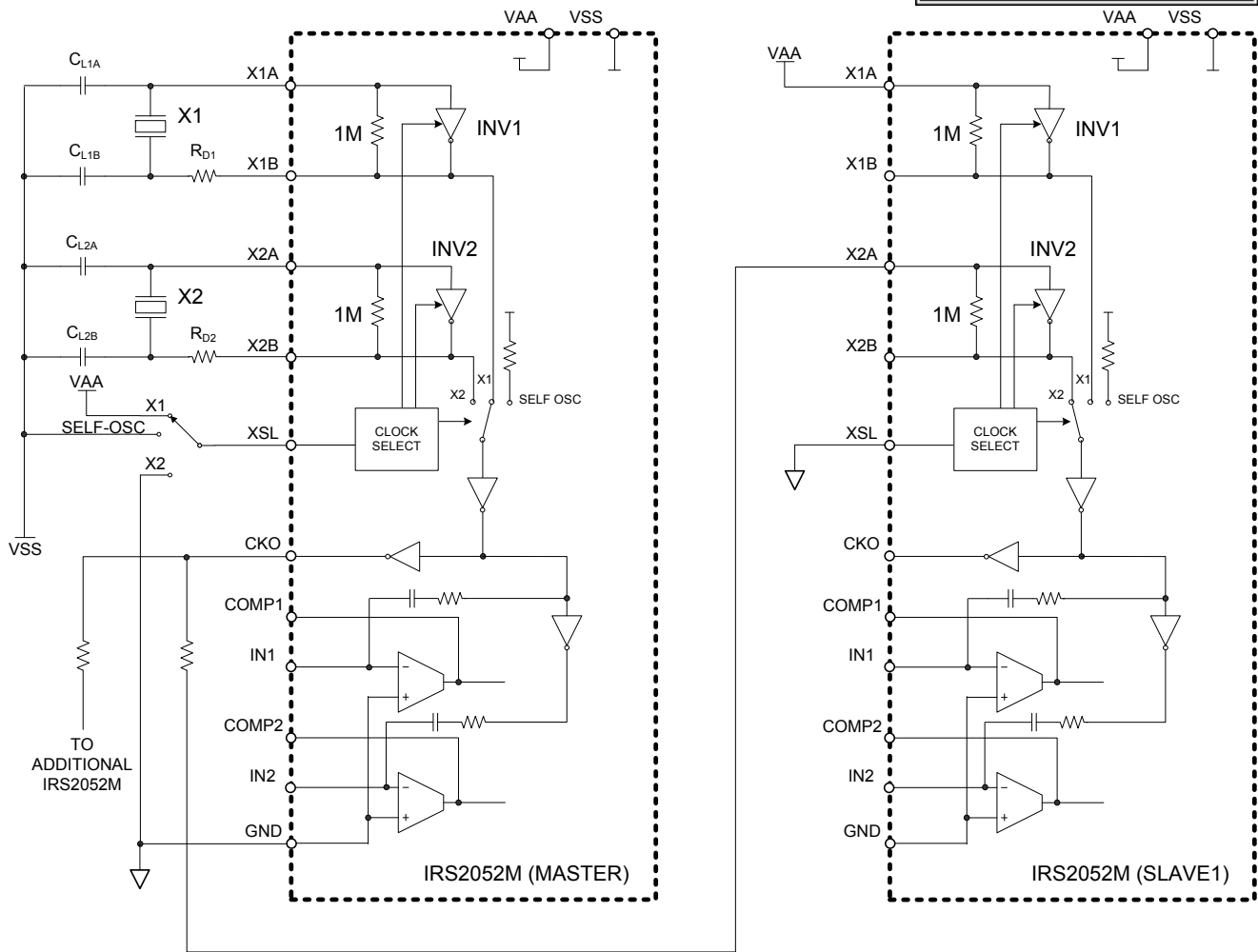


Figure 7 Daisy-chained Clock Configuration

2.4 Click Noise Elimination

The IRS2052M furnishes audible click noise reduction to minimize audible noise from loudspeakers upon start or stop of PWM oscillation. To make this feature in effect, audio signal needs to be removed before start or stop PWM. Also, make sure DC offset stays less than 50mV in the normal operating condition.

2.4.1 Turn-on Click Noise Reduction

The IRS2052M has a unique feature that minimizes audible click noise at PWM-start. When CSD is in between V_{th1} and V_{th2} during start up, an internal closed loop around the OTA enables an oscillation that generates voltages at COMP and IN⁻, bringing them to steady state values. It runs at around 1MHz, independent from the switching oscillation.

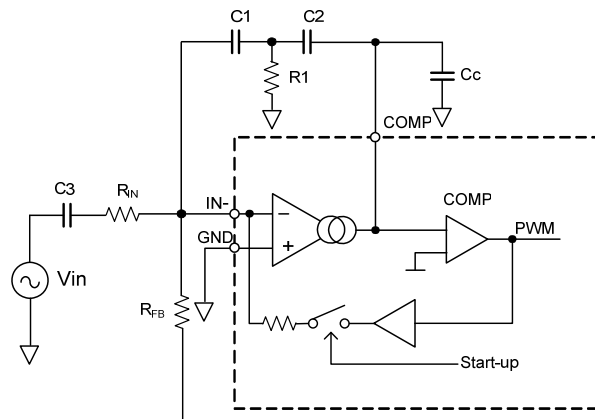


Figure 8 Turn-ON Click Noise Elimination

As a result, all capacitive components connected to COMP and IN- pins, such as C1, C2, C3 and Cc in Figure 8, are pre-charged to their steady state values during the start up sequence. This allows instant settling of PWM operation.

To utilize the click noise reduction function, the following conditions must be met.

1. CSD pin has slow enough ramp up from V_{th1} to V_{th2} such that the voltages in the capacitors can settle to their target values.
2. High-side bootstrap power supply needs to be charged up prior to starting oscillation.
3. Audio input has to be zero.
4. For internal local loop to override external feedback during the startup period, DC offset at speaker output prior to shutdown release has to satisfy the following condition.

$$DC_{offset} < 30\mu A \cdot R_{FB}$$

2.4.2 Turn-off Click Noise Reduction (Soft-shutdown)

To further reduce audible click noise when PWM stops, the IRS2052M has a unique feature that minimizes PWM-stop audible click noise. The internal shutdown timing control block assures a specific timing to stop PWM. When CSD pin is pulled-down to shutdown the PWM, the internal soft-shutdown block waits until a moment where audible noise is minimal prior to shutdown. The Turn-off noise reduction function installs maximum of t_{SSD} delay from when the CSD pin threshold falls under the shutdown threshold V_{th1} .

2.5 CSD Voltage and OTA Operational Mode

The CSD pin determines the operational mode of the IRS2052M as shown in Figure 9. The OTA has three operational modes; cut off, local oscillation and normal operation while the gate driver section has two modes; normal and shutdown with CSD voltage.

When $V_{CSD} < V_{th2}$, the IC is in shutdown mode and the OTA is cut off. When $V_{th2} < V_{CSD} < V_{th1}$, the HO and LO outputs are still in shutdown mode. The OTA is activated and starts local oscillation, which pre-biases all the capacitive components in the error amplifier. When $V_{CSD} > V_{th1}$, shutdown is released and PWM operation starts.

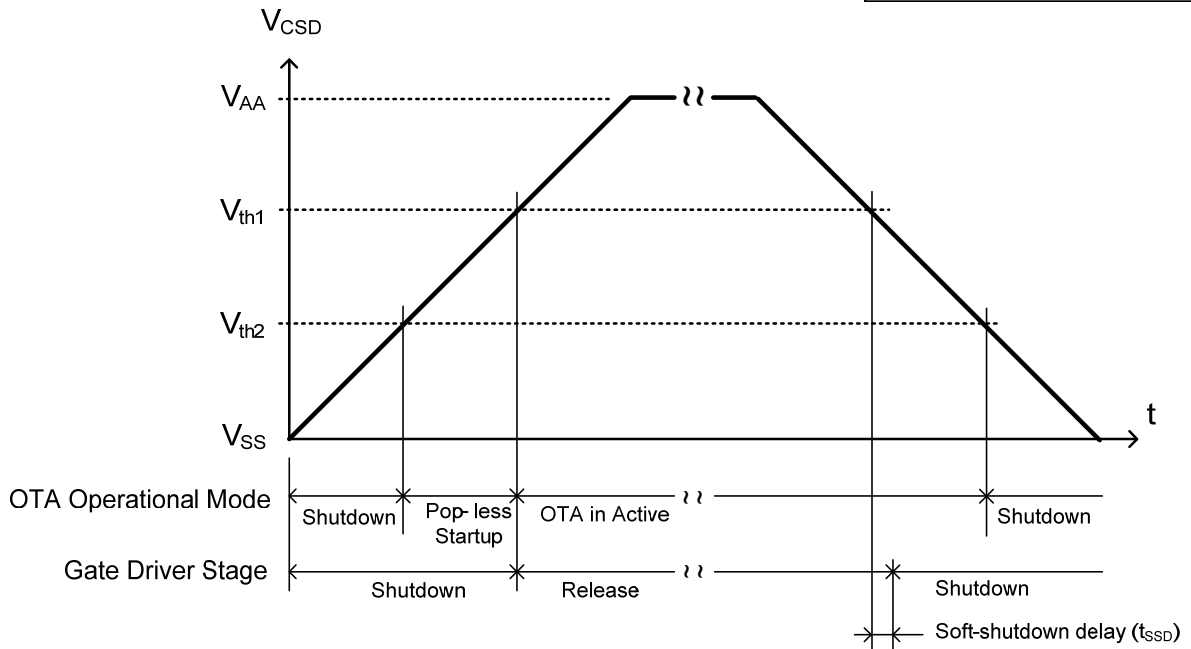


Figure 9 V_{CSD} and OTA Mode

2.6 Self-oscillation Start-up Condition

The IRS2052M requires the following conditions be met to start PWM oscillation in the typical application circuit.

- All the control power supplies, V_{AA}, V_{SS}, V_{CC} and V_{BS} are above the under voltage lockout thresholds.
- CSD pin voltage is over V_{th1} threshold.
- $|i_{IN}| < |i_{FB}|$

$$\text{Where } i_{IN} = \frac{V_{IN}}{R_{IN}}, i_{FB} = \frac{V_{+B}}{R_{FB}}.$$

Note that this condition also limits the maximum audio input voltage feeding into R1. If this condition is exceeded, the amplifier stops its oscillation during the operation period. This allows a 100% modulation index; however, care should be taken so that the high-side floating supply does not decay due to a lack of low-side pulse ON state.

3 MOSFET Selection

There are a couple of limitations on the size of the MOSFET to be used with the IRS2052M.

1. Power dissipation

Power dissipation from the gate driver stage in the IRS2052M is proportional to switching frequency and the gate charge of the MOSFET. The higher the switching frequency, the lower the gate charge of the MOSFET that can be used.

Refer to Junction Temperature Estimation later in this application note for details.

2. Switching Speed

Internal over current protection has a certain time window to measure the output current. If switching transition takes too long, the internal OCP circuitry starts monitoring voltage across the MOSFET which induces false triggering of OCP. Less than 20nC of gate charge per output is recommended.

The IRS2052M accommodates a range of IR Digital Audio MOSFETs, providing a scalable design for various output power levels. For further information on MOSFET section, refer to AN-1070, Class D Amplifier Performance Relationship to MOSFET Parameters.

4 Over Current Protection (OCP)

The IRS2052M features over current protection to protect the power MOSFETs during abnormal load conditions. The control logic is shown in Figure 11. The IRS2052M starts a sequence of events when it detects an over current condition during either high-side or low-side turn on of a pulse.

As soon as either the high-side or low-side current sensing block detects over current:

1. The OC Latch (OCL) flips logic states and shutdowns the outputs LO and HO.
2. The CSD pin starts discharging the external capacitor C_t .
3. When V_{CSD} , the voltage across C_t , falls below the lower threshold V_{th2} , an output signal from COMP2 resets OCL.
4. The CSD pin starts charging the external capacitor C_t .
5. When V_{CSD} goes above the upper threshold V_{th1} , the logic on COMP1 flips and the IC resumes operation.

As long as the over current condition exists, the IC will repeat the over current protection sequence at a repetition rate dependent upon capacitance at the CSD pin.

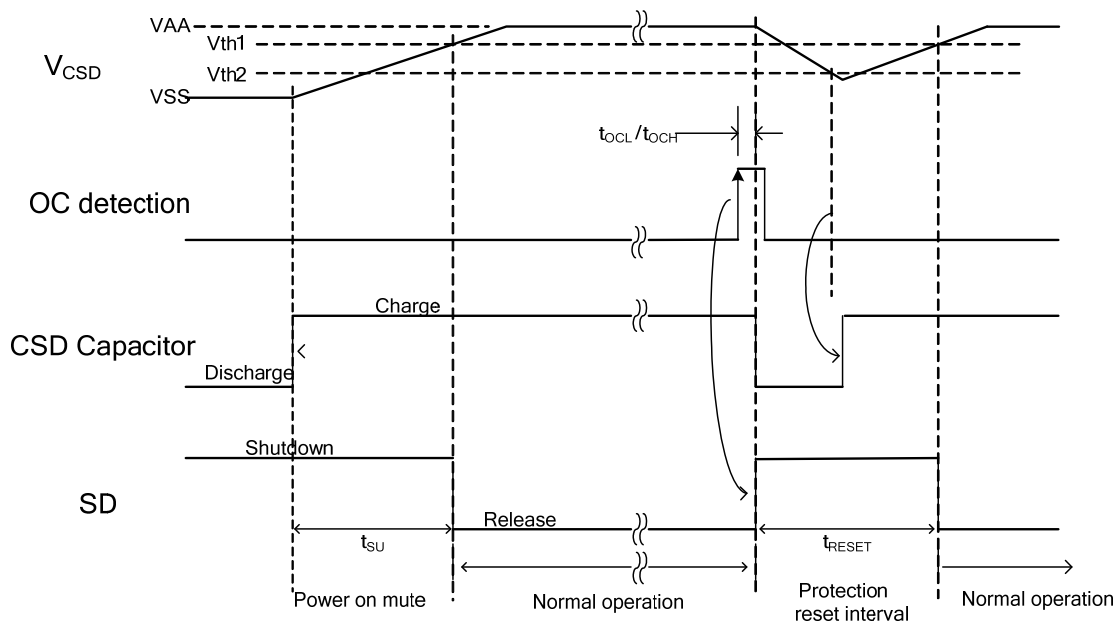


Figure 10 Over Current Protection Timing Chart

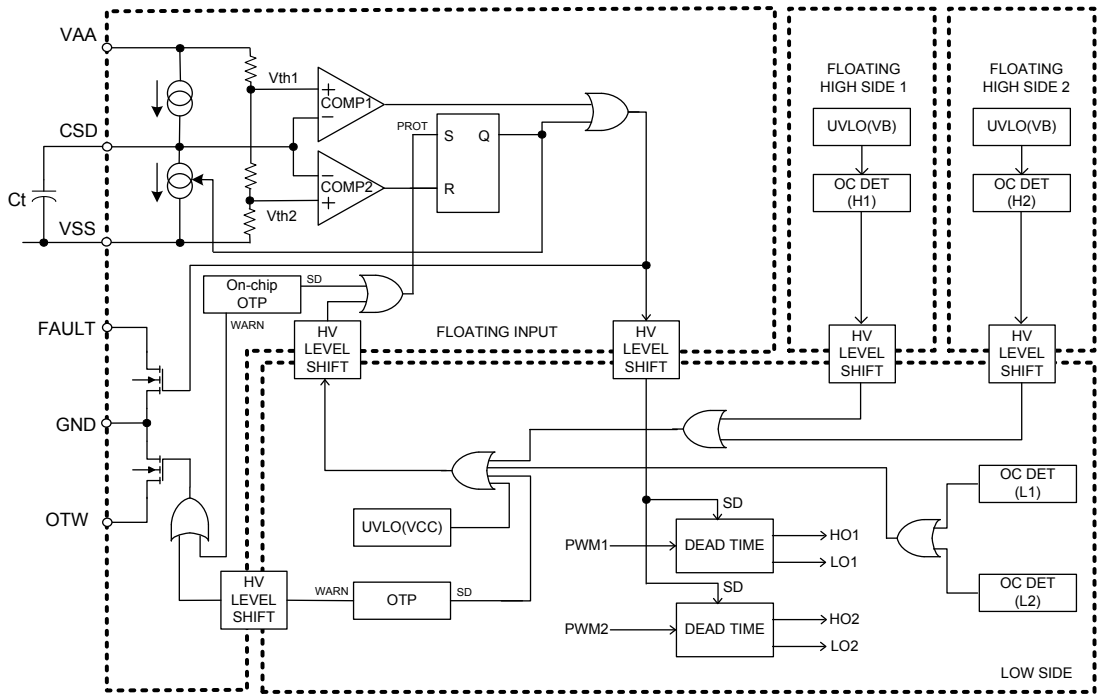


Figure 11 Production Control Functional Block Diagram

4.1 Protection Control

The internal protection control block dictates the operational mode, normal or shutdown, using the input of the CSD pin. In shutdown mode, the IC forces LO and HO to output 0V with respect to COM and VS respectively to turn off the power MOSFETs.

The CSD pin provides five functions.

1. Power up delay timer
2. Self-reset timer
3. Shutdown input
4. Latched protection configuration
5. Shutdown status output (host I/F)

The CSD pin cannot be paralleled with another IRS2052M.

4.1.1 Self Reset Protection

By putting a capacitor between CSD and V_{SS}, the IRS2052M resets itself after entering shutdown mode.

After the OCP event, the CSD pin discharges C_t voltage V_{CSD} down to the lower threshold V_{th2} to reset the internal shutdown latch. Then, the IRS2052M begins to charge C_t in an attempt to resume operation. Once the voltage of the CSD pin rises above the upper threshold, V_{th1}, the IC resumes normal operation.

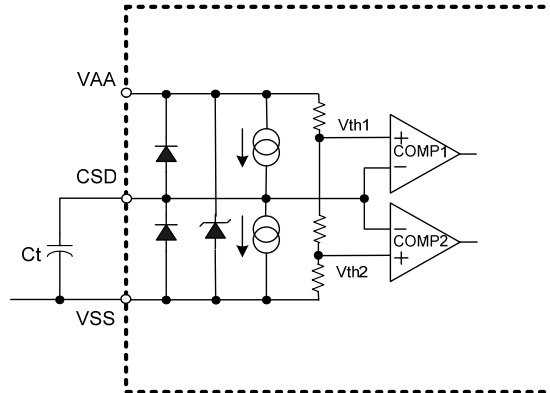


Figure 12 Self Reset Protection Configuration

4.1.2 Designing C_t

The timing capacitor, C_t, is used to program t_{RESET} and t_{SU}.

- t_{RESET} is the amount of time that elapses from when the IC enters the shutdown mode to the time when the IC resumes operation. t_{RESET} should be long enough to avoid over heating the MOSFETs from the repetitive sequence of shutting down and resuming operation during over current conditions. In most of applications, the minimum recommended time for t_{RESET} is 0.1 second.
- t_{SU} is the amount of time between powering up the IC in shutdown mode to the moment the IC releases shutdown to begin normal operation.

The C_t determines t_{RESET} and t_{SU} as following equations:

$$t_{RESET} = \frac{C_t \cdot V_{AA}}{1.1 \cdot I_{CSD}} \quad [\text{s}]$$

$$t_{SU} = \frac{C_t \cdot V_{AA}}{0.7 \cdot I_{CSD}} \quad [\text{s}]$$

where I_{CSD} = the charge/discharge current at the CSD pin
V_{AA} = the floating input supply voltage with respect to V_{SS}.

4.1.3 Shutdown Input

The IRS2052M can be shut down by an external shutdown signal SD. Figure 13 shows how to add an external discharging path to shutdown the PWM.

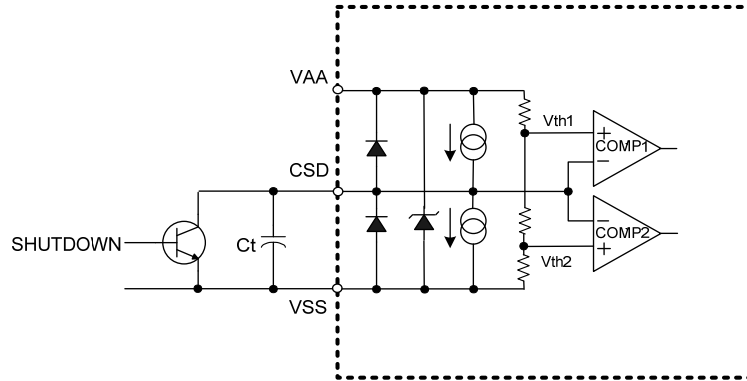


Figure 13 Shutdown Input

4.1.4 Latched Protection

Connecting CSD to V_{AA} through a 10k Ω or less resistance configures the over current protection latch. The latch locks the IC in shutdown mode after over current is detected. An external reset switch can be used to bring CSD below the lower threshold V_{th2} for a minimum of 200ns to properly reset the latch. After the power up sequence, a reset signal to the CSD pin is required to release the IC from the latched shutdown mode.

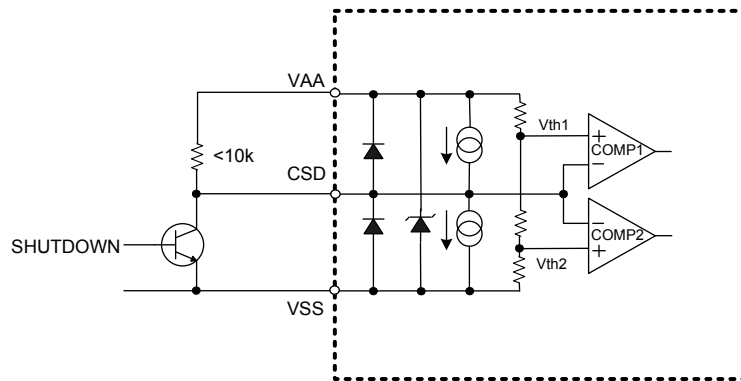


Figure 14 Latched Protection with Reset Input

4.1.5 Interfacing with System Controller

The IRS2052M can communicate with an external system controller through a simple interfacing circuit shown in Figure 15. A generic PNP transistor U1 detects the sink current at the CSD pin during an OCP event and outputs a shutdown signal to an external system controller. Another generic NPN transistor U2 can then reset the internal protection logic by pulling the CSD voltage below the lower threshold V_{th2} for a minimum of 200ns. Note that the CSD pin is configured to operate in latched OCP. After the power up sequence, a reset signal to the CSD pin is required to release the IC from the shutdown mode.

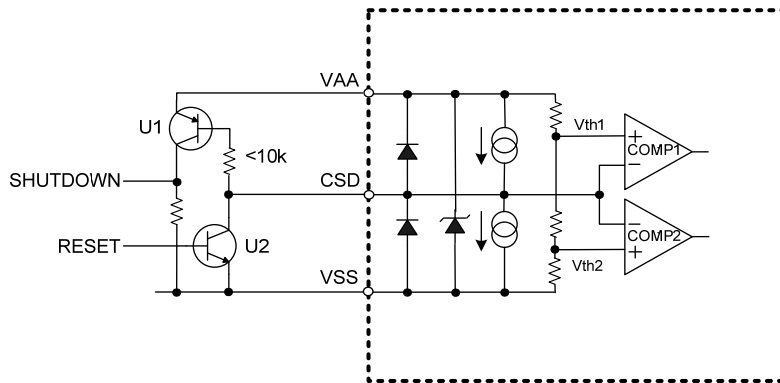


Figure 15 Interfacing with Host Controller

4.2 Programming OCP Trip Level

In a Class D audio amplifier, the direction of the load current alternates with the audio input signal. An over-current condition can therefore occur during either a positive current cycle or a negative current cycle. The IRS2052M uses the $R_{DS(on)}$ of the output MOSFETs as current sensing resistors. Due to the structural constraints of high voltage ICs, current sensing is implemented differently for the high side and low side. If the measured current exceeds a predetermined threshold, the OCP block outputs a signal to the protection block, forcing HO and LO low and protecting the MOSFETs.

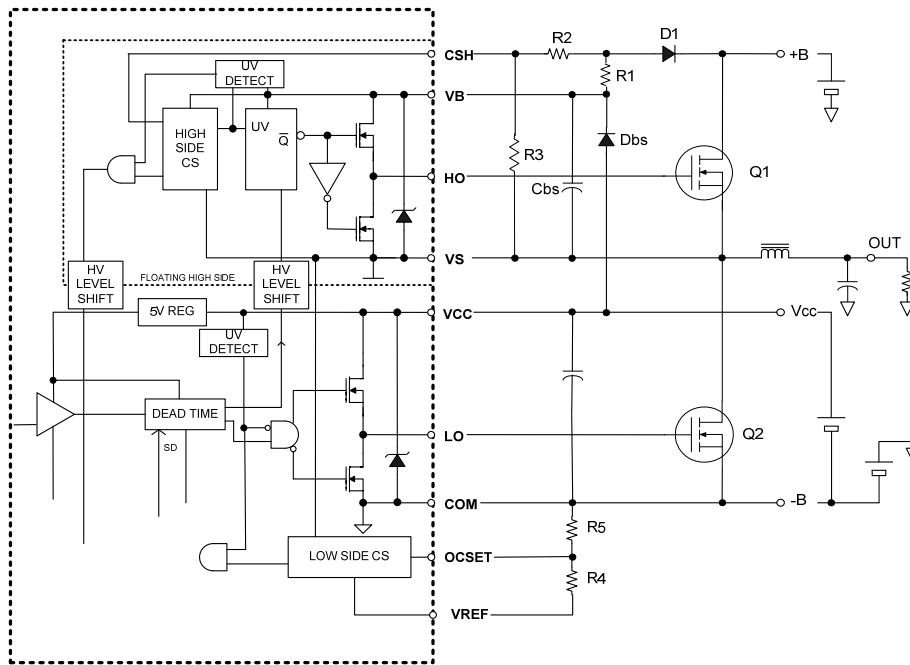


Figure 16 Bi-directional Over Current Protection

4.2.1 Low Side Over Current Sensing

For negative load currents, low-side over current sensing monitors the load condition and shuts down switching operation if the load current exceeds the preset trip level.

Low-side current sensing is based on the measurement of V_{DS} across the low side MOSFET during the low-side on state. In order to avoid triggering OCP from overshoot, a blanking interval inserted after LO turn on disables over current detection for 450ns.

The OCSET pin is to program the threshold for low-side over current sensing. When the measured V_{DS} measured of the low side MOSFET exceeds the voltage at the OCSET pin with respect to COM, the IRS2052M begins the OCP sequence described earlier.

Note that the programmable OCSET range is 0.5V to 5.0V. To disable the low side OCP, connect OCSET to VCC directly.

To program the trip level for over current, the voltage at OCSET can be calculated using the equation below.

$$V_{OCSET} = V_{DS(Low\ Side)} = I_{TRIP+} \times R_{DS(on)}$$

In order to minimize the effect of the input bias current at the OCSET pin, select resistor values for R4 and R5 such that the current through the voltage divider is 0.5mA or more.

* Note: Using V_{REF} to generate an input to OCSET through a resistive divider provides improved immunity from fluctuations in V_{CC} .

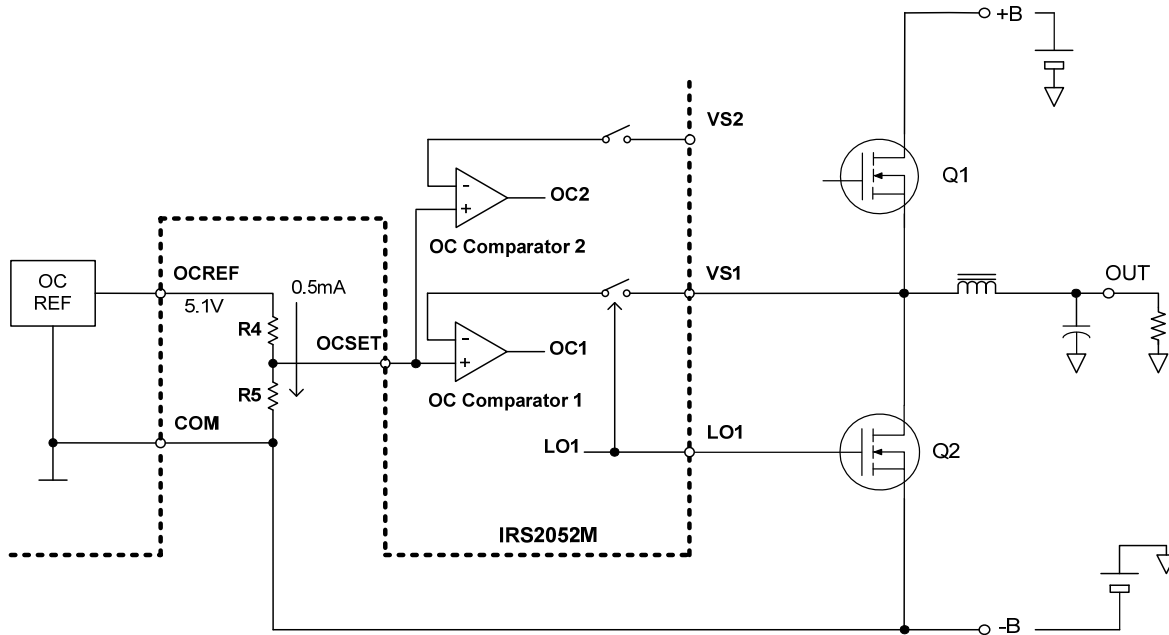


Figure 17 Low Side Over Current Sensing

4.2.2 Low Side Over Current Setting

Assume that the low side MOSFET has $R_{DS(on)}$ of $100m\Omega$. V_{OCSET} to set the current trip level at 30A is given by:

$$V_{OCSET} = I_{TRIP+} \times R_{DS(on)} = 30A \times 100m\Omega = 3.0V$$

Choose $R4+R5=10\text{ k}\Omega$ to properly load the VREF pin.

$$\begin{aligned} R_5 &= \frac{V_{OCSET}}{V_{REF}} \cdot 10k\Omega \\ &= \frac{3.0V}{5.1V} \cdot 10k\Omega \\ &= 5.8k\Omega \end{aligned}$$

where $V_{REF} = 5.1V$

Based on the E-12 series resistor values, choose $R5 = 5.6k\Omega$ and $R4 = 3.9k\Omega$ to complete the design.

In general, $R_{DS(on)}$ has a positive temperature coefficient that needs to be considered when setting the threshold level. Also, variations in $R_{DS(on)}$ will affect the selection of external or internal component values.

4.2.3 High Side Over-Current Sensing

For positive load currents, high-side over current sensing also monitors the load condition and shuts down switching operation if the load current exceeds the preset trip level. High-side current sensing is based on the measurement of V_{DS} across the high-side MOSFET during high-side turn on through pins CSH and Vs. In order to avoid triggering OCP from overshoot, a blanking interval inserted after HO turn on disables over current detection for 450ns.

In contrast to low-side current sensing, the threshold at which the CSH pin engages OC protection is internally fixed at 1.2V. An external resistive divider R2 and R3 can be used to program a higher threshold.

An external reverse blocking diode, D1, is required to block high voltages from feeding into the CSH pin while the high side is off. Due to a forward voltage drop of 0.6V across D1, the minimum threshold required for high-side over current protection is 0.6V.

$$V_{CSH} = \frac{R3}{R2 + R3} \cdot (V_{DS(HIGHSIDE)} + V_{F(D1)})$$

where $V_{DS(HIGHSIDE)}$ = the drain to source voltage of the high side MOSFET during high side turn on
 $V_{F(D1)}$ = the forward drop voltage of D1

Since $V_{DS(HIGHSIDE)}$ is determined by the product of drain current I_D and $R_{DS(on)}$ of the high side MOSFET. V_{CSH} can be rewritten as:

$$V_{CSH} = \frac{R3}{R2 + R3} \cdot (R_{DS(on)} \cdot I_D + V_{F(D1)})$$

The reverse blocking diode D1 is forward biased by a 10kΩ resistor R1.

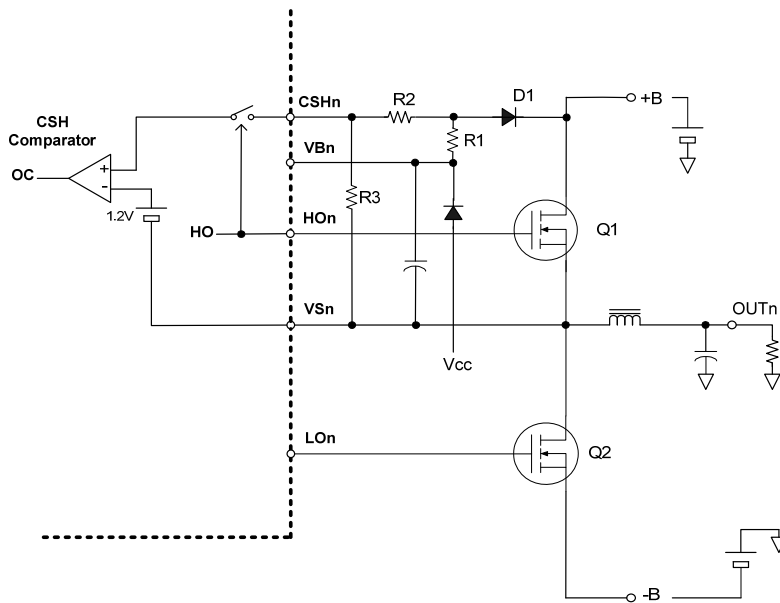


Figure 18 Programming High Side Over Current Threshold

4.2.4 High Side Over Current Setting

Figure 18 demonstrates the typical circuitry used for high side current sensing. In the following example, the over current protection level is set to trip at 30A using a MOSFET with an $R_{DS(on)}$ of 100m Ω . The component values of R2 and R3 can be calculated using the following formula:

Let $R_2 + R_3 = 10 \text{ k}\Omega$.

$$R_3 = 10\text{k}\Omega \cdot \frac{V_{th_{OCH}}}{V_{DS} + V_F}$$

where $V_{th_{OCL}} = 1.2\text{V}$

V_F = the forward voltage of reverse blocking diode D1 = 0.6V.

$V_{DS@ID=30A}$ = the voltage drop across the high side MOSFET when the MOSFET current is 30A.

Therefore, $V_{DS@ID=30A} = I_D \times R_{DS(on)} = 30\text{A} \times 100\text{m}\Omega = 3\text{V}$

Based on the formulas above, $R_2 = 6.8\text{k}\Omega$ and $R_3 = 3.3\text{k}\Omega$.

4.2.5 Choosing the Right Reverse Blocking Diode

The selection of the appropriate reverse blocking diode D1 depends on its voltage rating and speed. To effectively block bus voltages, the reverse voltage must be higher than the voltage difference between +B and -B and the reverse recovery time must be as fast as the bootstrap charging diode. A diode such as the NXP BAV21W, a 200V, 50ns high speed switching diode, is more than sufficient.

5 Over Temperature Protection

The IRS2052M equips two over temperature protection features; OTP input to sense MOSFET temperature and on-chip OTP to protect the IC itself.

5.1 Over Temperature Protection Input (OTP)

The over temperature protection input OTP is for an external PTC Thermistor to monitor temperature of MOSFET. The OTP pin equips a 0.6mA internal current source to bias the external PTC resistor. Over temperature warning activates when the voltage at any of OTP input pin goes higher than 1.4V. Over temperature protection activates when the voltage at any of OTP input pin goes higher than 2.8V. Each threshold has 200mV.

The OTP pin of IRS2052M is designed for connecting a PTC Thermistor with characteristics shown in Figure 20. Recommended PTC Thermistor includes PRF15**471QB1RC, PRF18**471QB1RB or PRF21**471QB1RA series from Murata Manufacturing co., ltd.

A thermostat IC with open drain output, such as LM26 from National Semiconductor, can also be used as a temperature sensor for better accuracy as shown in Figure 22.

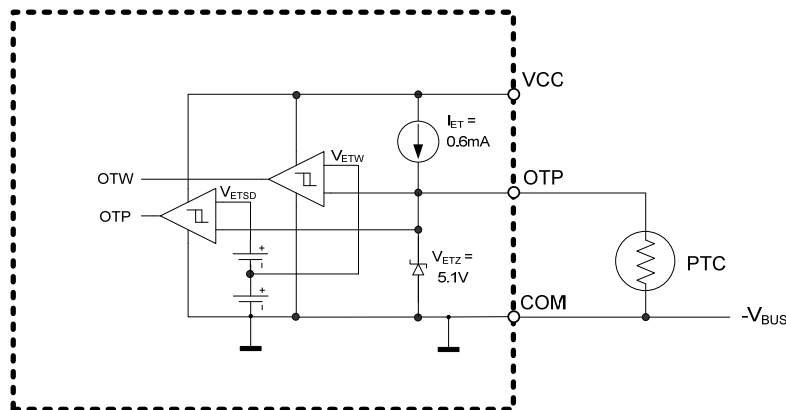


Figure 19 Over Temperature Protection (OTP) Input Structure

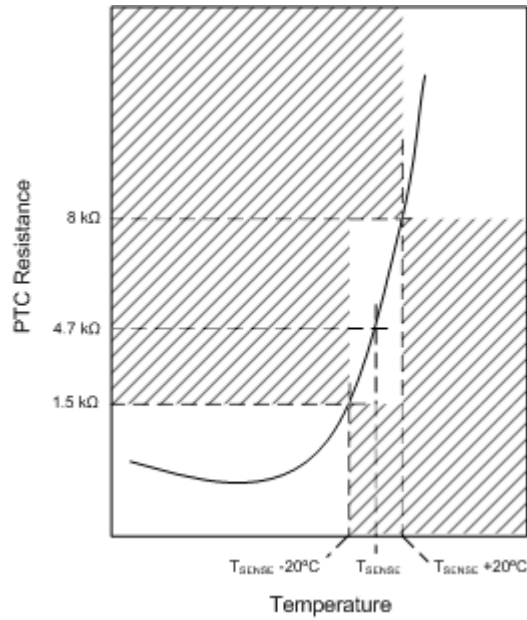


Figure 20 Recommended PTC sensor characteristics

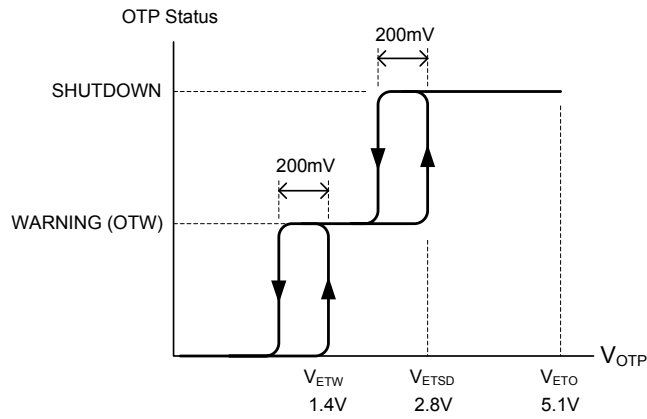


Figure 21 V_{OTP} vs. Over Temperature Protection Status

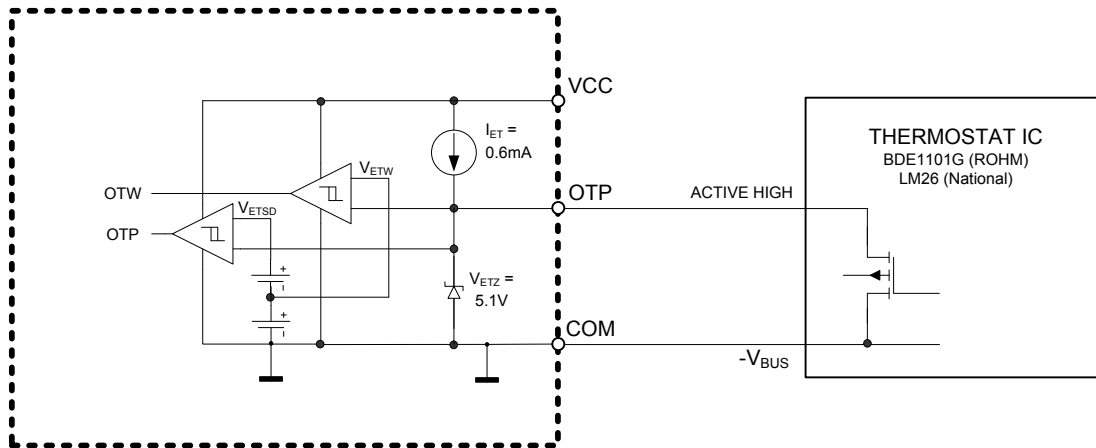


Figure 22 OTP pin with Thermostat IC

5.2 On-chip Over Temperature Protection

If the junction temperature T_J of IRS2052M becomes higher than on-chip thermal warning threshold T_W , the on-chip over temperature protection pulls OTW pin down to GND. If the junction temperature T_J keeps increasing and exceed on-chip thermal shutdown threshold T_{SD} , the on-chip over temperature protection shuts down PWM as long as the junction temperature is higher than the threshold.

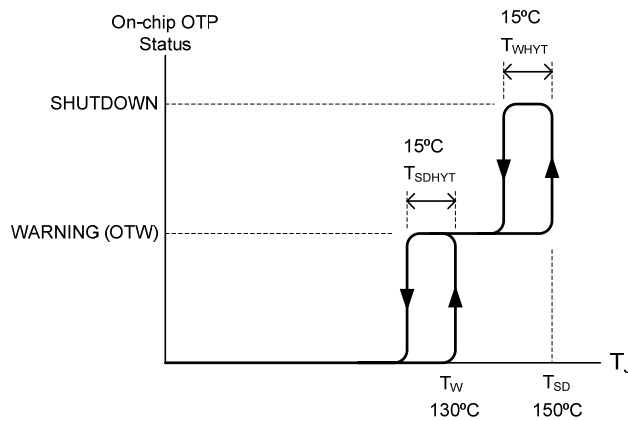


Figure 23 On-chip OTP

5.3 Over Temperature Warning Output (OTW)

OTW output is an open drain output referenced to GND to report whether the IRS2052M is experiencing high temperature from either OTP input or on-chip OTP. OTW activates if OTP pin voltage becomes higher than warning threshold V_{ETW} , or if junction temperature reaches warning threshold T_W .

6 FAULT Output

FAULT output is an open drain output referenced to GND to report whether the IRS2052M is in shutdown mode or in normal operating condition. If FAULT pin is open, the IRS2052M is in normal operation mode, i.e. HO and LO are active. Following conditions triggers shutdown internally and pulls FAULT pin down to GND.

- Over Current Protection
- Over Temperature Protection (internal or external via OTP pin)
- Shutdown mode from CSD pin voltage

7 CLIP Output

When the output of the amplifier loses track to an expected target value, the amplifier enters clipping condition. CLIP output is to flag the clipping condition. The integrated clipping detection monitors voltage in COMP pin with a window comparator and pull an open drain MOSFET referenced to GND. Detection threshold at COMP pin is set at 10% and 90% of VAA-VSS. Each channel has independent CLIP outputs. Each CLIP output has 1us minimum pulse width once triggered.

The CLIP outputs are disabled when the IRS2052M is in shutdown mode.

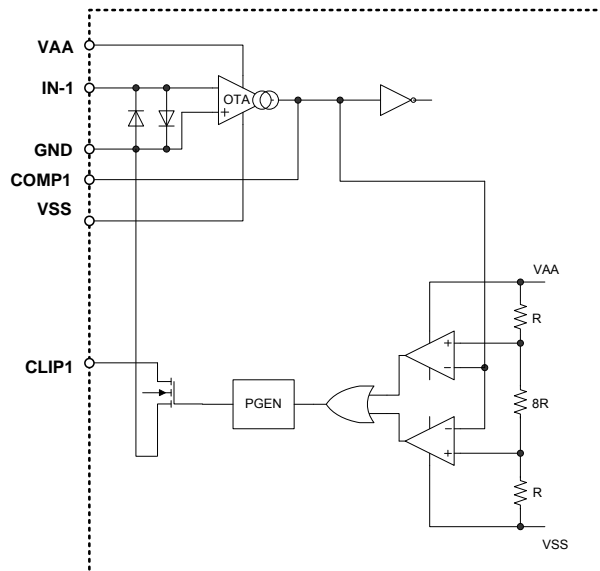


Figure 24 Clipping Detection

8 Deadtime Design

Dead time is the blanking period inserted between either high-side Turn-OFF and low-side Turn-ON, or low-side Turn-OFF and high-side Turn-ON. Its purpose is to prevent shoot through, or a rush of current through both MOSFETs. In the IRS2052M, an internal dead time generation block allows the user to select the optimum dead time from a range of preset values. Selecting a preset dead time through the DT pin voltage can easily be done through an external voltage divider. This way of setting dead time prevents outside noise from modulating the switching timing, which is critical to the audio performance.

8.1 How to Determine Optimal Deadtime

The effective deadtime in an actual application differs from the deadtime specified in this datasheet due to the switching fall time, t_f . The deadtime value in this datasheet is defined as the time period between the beginning of turn-off on one side of the switching stage and the beginning of turn-on on the other side as shown in Figure 25. The fall time of the MOSFET gate voltage must be subtracted from the deadtime value in the datasheet to determine the effective deadtime of a Class D audio amplifier.

$$(\text{Effective deadtime}) = (\text{Deadtime in datasheet}) - t_f$$

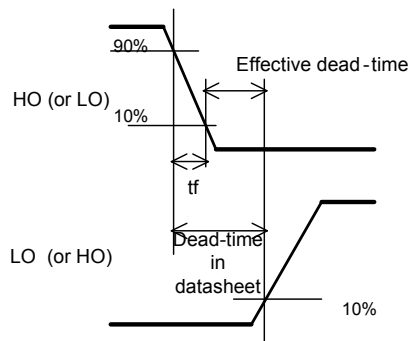


Figure 25 Effective Dead Time

A longer deadtime period is required for a MOSFET with a larger gate charge value because of the longer t_f . Although a shorter effective, deadtime setting is beneficial to achieving better linearity in Class D amplifiers, the likelihood of shoot-through current increases with narrower deadtime settings. Negative values of effective deadtime may cause excessive heat dissipation in the MOSFETs, leading to potentially serious damage.

To calculate the optimal deadtime in a given application, the fall time t_f for both HO and LO in the actual circuit need to be taken into account. In addition, variations in temperature and device parameters could also affect the effective deadtime in the actual circuit. Therefore, a minimum effective deadtime of 10ns is recommended to avoid shoot-through current over the range of operating temperatures and supply voltages.

8.2 Programming Deadtime

The IRS2052M selects the deadtime from a range of preset deadtime values based on the voltage applied at the DT pin. An internal comparator translates the DT input to a predetermined deadtime by comparing the input with internal reference voltages. These internal reference voltages are set in the IC through a resistive voltage divider using V_{CC} . The relationship between the operation mode and the voltage at DT pin is illustrated in the Figure 26 below.

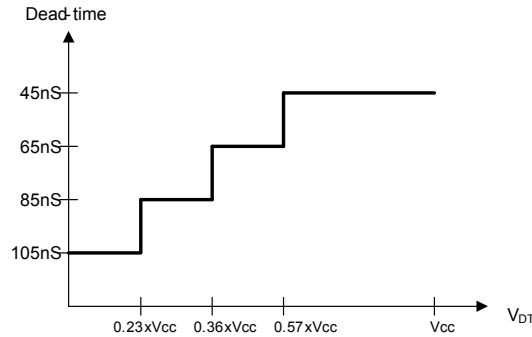


Figure 26 Deadtime vs. V_{DT}

Table 3 suggests pairs of resistor values used in the voltage divider for selecting deadtime. Resistors with up to 5% tolerance are acceptable when using these values.

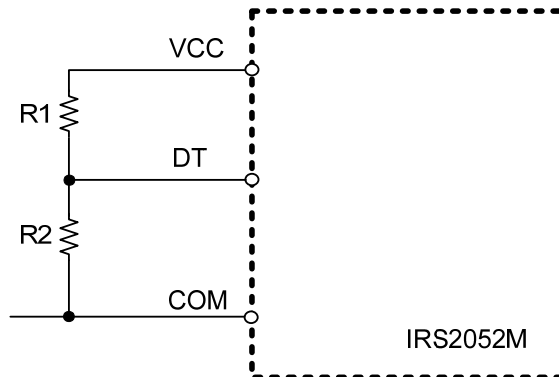


Figure 27 External Voltage Divider for DT Pin

Deadtime Mode	R1	R2	DT Voltage
DT1	<10k	Open	V_{cc}
DT2	5.6k Ω	4.7k Ω	0.46 x V_{cc}
DT3	8.2k Ω	3.3k Ω	0.29 x V_{cc}
DT4	Open	<10k	COM

Table 3 Recommended Resistor Values for Dead Time Selection

9 Power Supply Considerations

9.1 Supplying V_{AA} and V_{SS}

For best audio performance, it is preferred to produce V_{AA} and V_{SS} with external regulators, such as the three terminal regulators. Standard 7805 and 7905 regulators are suitable.

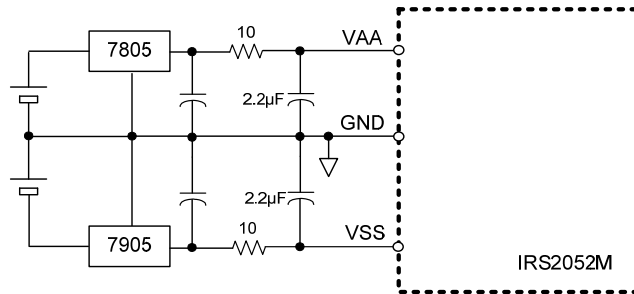


Figure 28 Supplying V_{AA} and V_{SS} with External Regulators

When switched mode regulators provide V_{AA} and V_{SS} , it is required to place a two-stage noise filter in the supply lines as shown in Figure 29 to prevent noise from influencing the switching ripple voltage on $\pm 5V$.

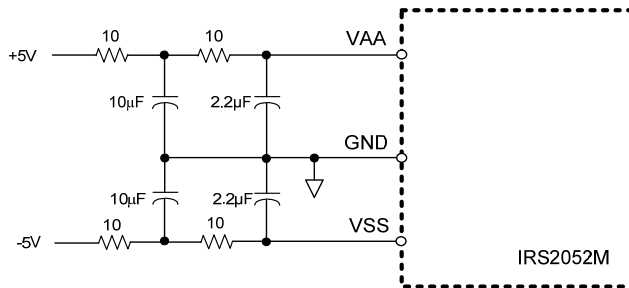


Figure 29 Supplying V_{AA} and V_{SS} from Switched Mode Power Supply

9.2 Recommended Power Supply Configuration for Gate Driver Stage

Figure 30 shows the recommended power supply configuration for gate driver power supplies. Gate driver stage has four power supply inputs.

1. VB1-VS1: CH1 high side gate drive supply
2. VB2-VS2: CH2 high side gate drive supply
3. VCC-COM: low side logic supply
4. VCC2-COM2: CH1-2 low side gate drive supply

R_{VBS1} - R_{VBS2} prevent C_{VBS1} - C_{VBS2} from over-charging due to under shoots in $VS1$ - $VS2$. R_{VBS1} - R_{VBS2} reduce switching noise triggered by Qrr of bootstrap diode D_{BS1} - D_{BS2} .

All power supplies except VCC-COM generate switching noise. R_{VCC2} isolates the switching noise from low side gate drive current and bootstrap charge pump current feeding into VCC. These optional filtering resistors are effective to achieve best audio performance in higher power applications (>100W).

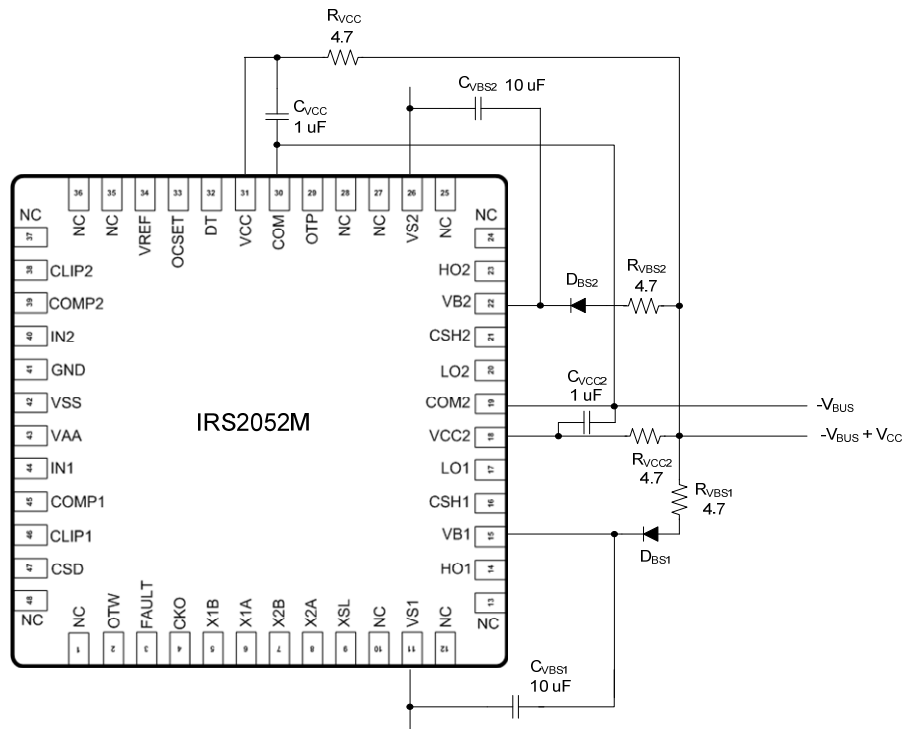


Figure 30 Recommended Power Supply Configurations for Gate Driver Stage

9.2.1 V_{CC} and V_{CC2}

The Non-floating section of IRS2052M has two supply voltages, V_{CC} and V_{CC2} . The V_{CC} is paired with COM to supply logic and small signal circuitries. The V_{CC2} and COM2 feed power to LO1-3 low side gate drive stages.

It is recommended to supply both V_{CC} and V_{CC2} from a single supply source. V_{CC} must be equal or higher than V_{CC2} , but no more than 5V.

9.2.2 COM and COM2

COM and COM2 must be tied to each other in as short a distance as possible.

9.2.3 Bottom Pad Connection

The Exposed bottom pad in the MLPQ48 package where the IC die sits has the same voltage potential as COM and COM2. However, it is not directly connected inside. The pad may be tied to COM and COM2 with short distance trace(s), or may be floated. Do not use the bottom pad as the low side power supply return path.

9.3 Designing High-side Bootstrap Power Supply

The high-side driver requires a floating supply V_{Bn} referring to respective switching node V_{Sn} where the source of the MOSFET is connected. A charge pump method (floating bootstrap power supply) eliminates the need of a floating power supply and thus is used in the typical application circuit.

9.3.1 Floating Bootstrap Power Supply

The floating bootstrap power supply charges bootstrap capacitor C_{BS} from the low-side power supply V_{CC} during the low-side MOSFET ON period. When the high-side MOSFET is ON, the charging diode turns off to float the V_{BS} supply. C_{BS} retains its voltage as a floating power supply referenced to V_S . Before C_{BS} discharges and V_{BS} crosses the under voltage lock out threshold UV_{BS} , the next charging cycle should start by turning on the low-side MOSFET.

Figure 31 depicts the low-side MOSFET ON state. I_1 turns off the high-side MOSFET first, then I_2 turns on the low side the MOSFET. As soon as switching node V_S reaches negative supply $-B$, the bootstrap diode D_{BS} turns on and starts charging C_{BS} with current I_3 from V_{CC} . Note that $V_{BS} = V_{CC} - (\text{forward drop voltage of } D_{BS})$.

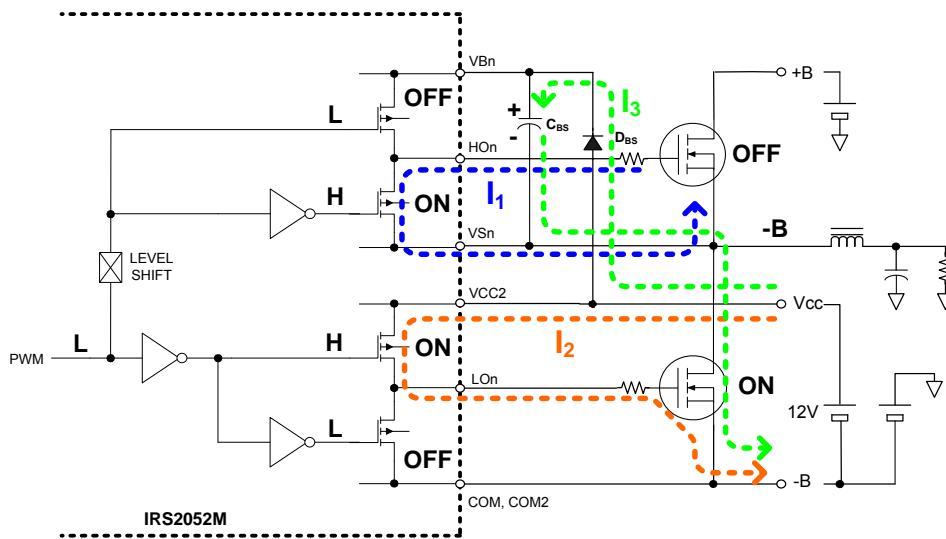


Figure 31 Charging VBS: Low-side ON Period

After the low-side conduction period, I_4 in Figure 32 turns off the low-side MOSFET. Then I_5 turns on the high-side MOSFET, lifting V_S up to $+B$. As long as the high side is ON, the bootstrap diode D_{BS} isolates the floating power supply V_{BS} .

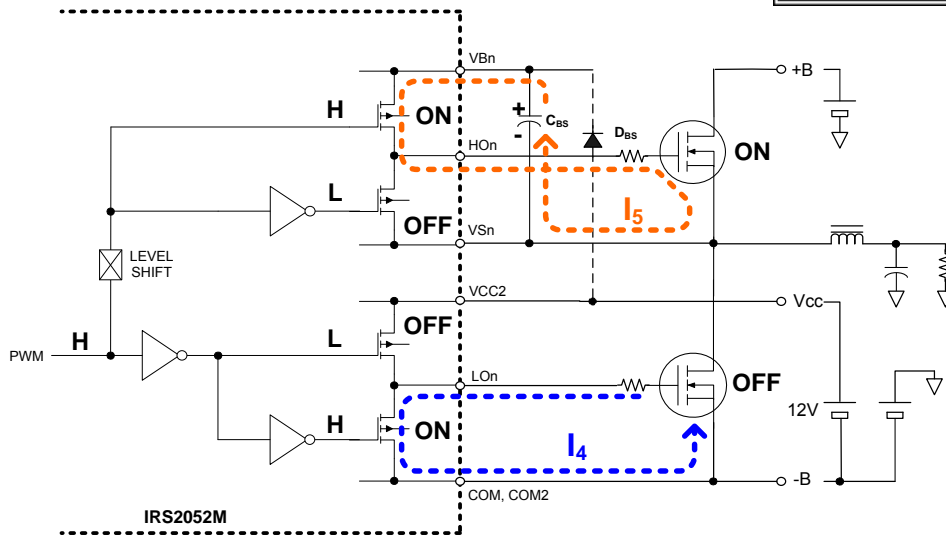


Figure 32 High-side ON Period

9.3.2 Choosing Bootstrap Capacitance

Since a MOSFET is a voltage driven device, I_5 is only to fill up the gate charge of the high-side MOSFET during the rising edge that is a one time event for entire high-side MOSFET on-time. After that, no more current flows from C_{BS} . In spite of that, the high-side gate driver stage in the IRS2052M has quiescent current consumption I_{QBS} to drain the charge of C_{BS} during the high-side MOSFET ON-time. High-side sensing bias current I_{R1} via detecting diode D1 is another current to take into considerations. (Figure 34) Normally, leakage current in the gate of a MOSFET is negligibly small compared to the I_{QBS} and I_{R1} .

The minimum bootstrap capacitance is determined as follows.

$$C_{BS} \gg \frac{(I_{QBS} + I_{R1}) \cdot t_{ON}}{VCC - 1.5 - UVBS}$$

- Where C_{BS} : floating bootstrap capacitance [F]
- I_{QBS} : high-side quiescent current [A]
- I_{R1} : high-side current sensing bias current [A]
- t_{ON} : longest high-side MOSFET conduction time [s]
- VCC: low-side power supply voltage [V]
- UVBS: high-side under voltage lockout threshold [V]
- 1.5: voltage drop in the bootstrap charging diode D_{BS}

The bootstrap capacitor sees the VCC supply voltage. A ceramic capacitor (X7R, X5R or X5S type) or aluminium electrolytic capacitor with 25V or higher voltage rating is recommended.

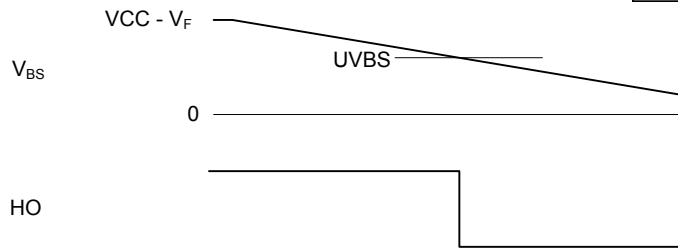


Figure 33 V_{BS} Discharging

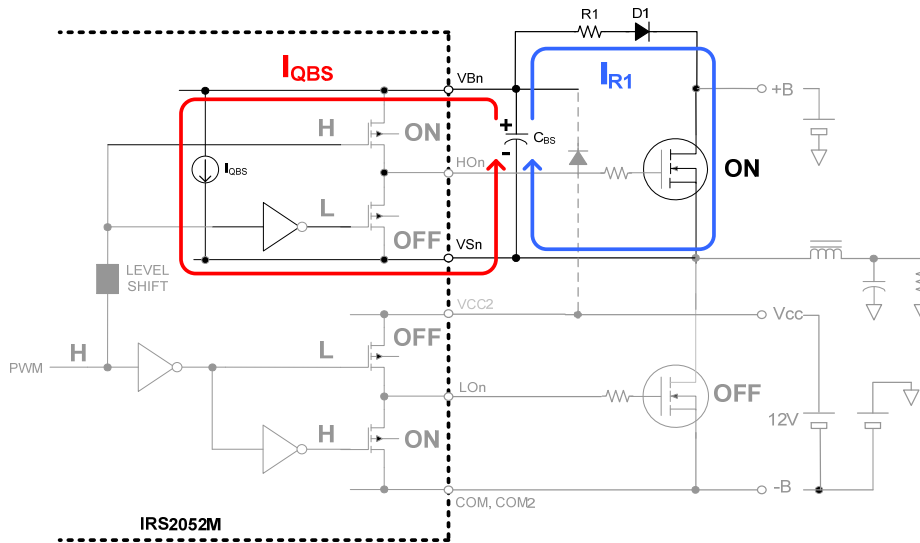


Figure 34 C_{BS} Discharging During High-side ON Period

9.3.3 Choosing Bootstrap Diode

The bootstrap diode blocks bus voltage (+B)-(-B) + (voltage overshoot), therefore a diode with voltage rating of 1.5 x bus voltage is a minimum requirement. In order to charge the bootstrap capacitor in a very short low-side ON period in a high PWM modulation ratio, a fast recovery type is necessary. One with a short reverse recovery time of $t_{rr} < 50\text{ns}$ is recommended.

9.3.4 Damping Resistor

Inserting a damping resistor in series with bootstrap diode D_{BS} is an effective way to eliminate the following potential problems in bootstrap power supply design.

- EMI noise due to reverse recovery charge of the bootstrap diode; note that this diode is a switching device for the charge pump
- Overcharge to bootstrap supply capacitor C_{BS}

Figure 35 explains how the floating supply voltage V_{BS} is over charged by a negative spike on V_S voltage that is induced by stray inductances in $-B$ feeding line. Generally, a 1 to 5 ohms resistor helps to prevent these issues.

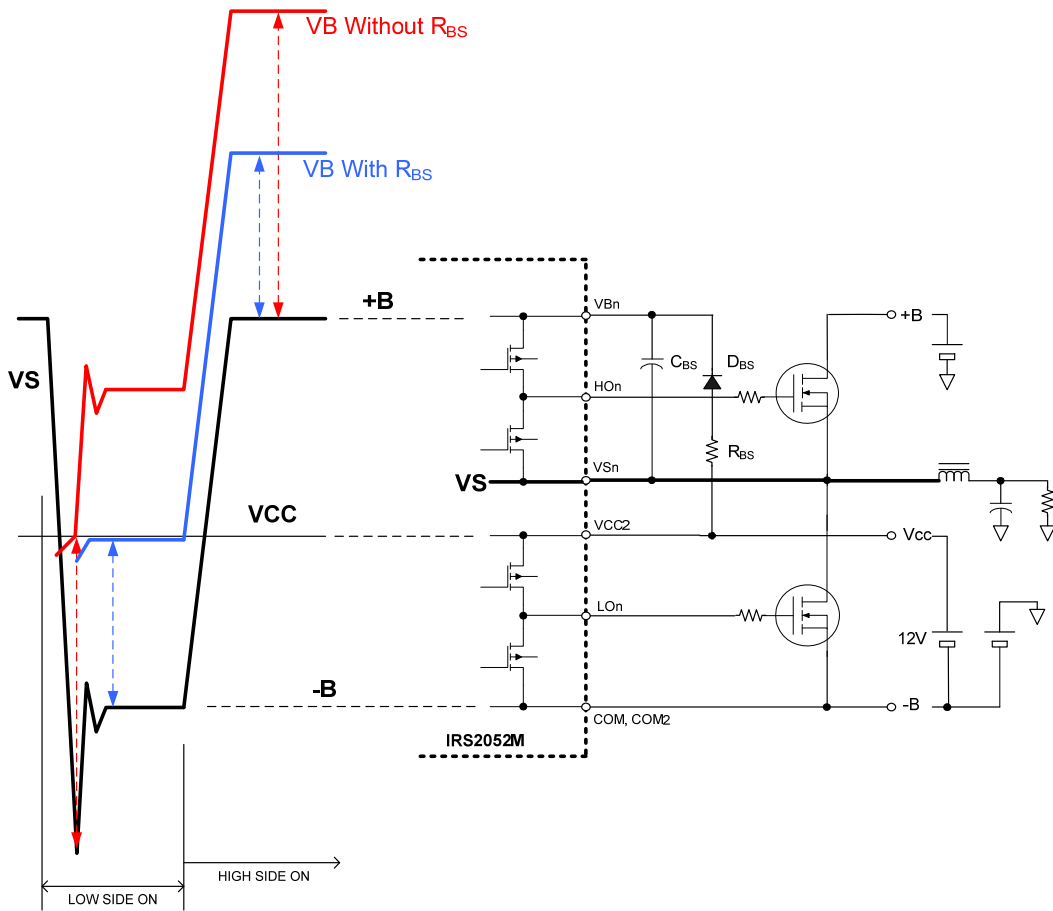


Figure 35 V_{BS} Charging With and Without R_{BS}

9.3.5 Charging V_{BS} Prior to Start

For proper start-up, it is necessary for the high side bootstrap capacitor be charged prior to PWM start-up through a resistor R_{CHARGE} from the positive supply bus to the V_B pin. By utilizing an internal 15.3V Zener diode between V_B and V_S , this scheme eliminates the need to charge the boot strap capacitor through low side turn on during start up.

The value of this charging resistor is subject to several constraints:

- The minimum resistance of R_{CHARGE} is limited by the maximum PWM modulation index of the system. When HO is high, R_{CHARGE} drains the bootstrap power supply so it reduces holding up time, hence maximum continuous HO on time.
- The maximum resistance of R_{CHARGE} is limited by the current charge capability of the resistor during startup:

$$I_{CHARGE} > I_{QBS}$$

where I_{CHARGE} = the current through R_{CHARGE}
 I_{QBS} = the high side supply quiescent current.

I_{CHARGE} generates a DC offset at the speaker output prior to PWM start up. Check that the DC offset does not exceed a condition for click noise elimination. See Click Noise Elimination section for more detail.

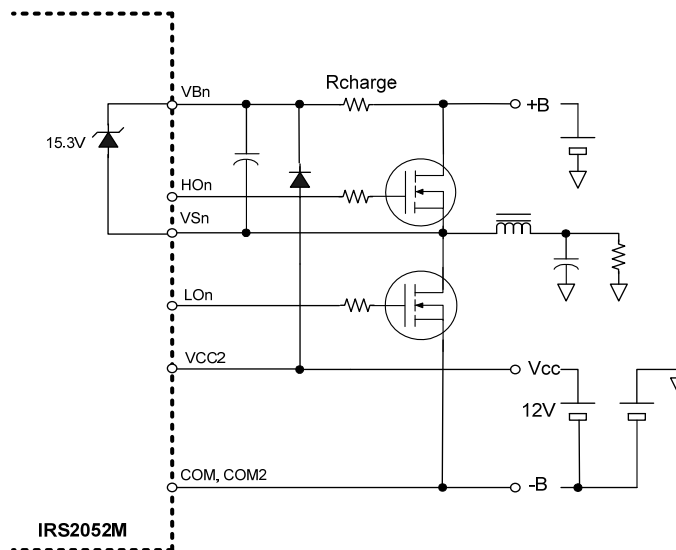


Figure 36 Boot Strap Supply Pre-charging

9.4 Start-up/Power-down Sequence (UVLO)

The protection control block in the IRS2052M monitors the status of V_{AA} and V_{CC} to ensure that both voltage supplies are above their respective UVLO (under-voltage lockout) thresholds before beginning normal operation. If either V_{AA} or V_{CC} is below the under voltage threshold, LO and HO are disabled in shutdown mode until both V_{AA} and V_{CC} rise above their voltage thresholds.

As soon as V_{AA} or V_{CC} falls below its UVLO threshold, protection logic in the IRS2052M turns off LO and HO, shutting off the power MOSFETs.

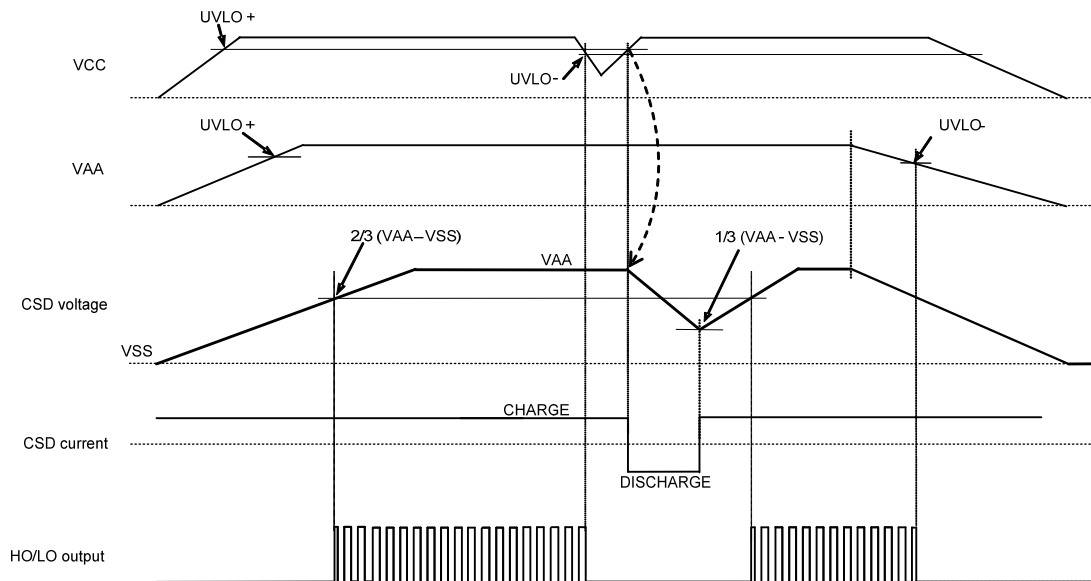


Figure 37 IRS2052M UVLO Timing Chart

9.5 Power Supply Decoupling

Because the IRS2052M contains analog circuitry, careful attention must be given to decoupling the power supplies for proper operation of the IC. Ceramic capacitors minimum of 0.1 μ F or aluminium capacitors minimum of 1 μ F should be placed close to the power supply pins of the IC on the board. Due to large capacitance variations, Y5V dielectric or similar type ceramic capacitors are not recommended.

Please refer to the application note AN-978 for general design considerations of a high voltage gate driver IC.

10 Junction Temperature Estimation

The power dissipation in the IRS2052M is dominated by the following items:

- P_{MID} : Power dissipation of the input floating logic and protection circuitry
- P_{LSM} : Power dissipation of the Input Level Shifter
- P_{LOW} : Power dissipation in low side
- P_{LSH} : Power dissipation of the High-side Level Shifter
- P_{HIGH} : Power dissipation in high side

The following equations are for reference only. Because of the non-linear characteristics in gate drive stage, these assumptions may not be accurate.

10.1 P_{MID} : Power Dissipation of the Input Floating Logic and Protection Circuitry

The power dissipation of the input floating section is given by:

$$P_{MID} = (V_{AA} - V_{SS}) \cdot I_{QAA1}$$

Where

I_{QAA1} = floating input section quiescent supply current in normal operation mode

10.2 P_{LSM} : Power Dissipation of the Input Level Shifter

$$P_{LSM} = 1.5 \times 10^{-9} \times f_{SW} \times V_{SS\ BIAS} \times 2$$

Where

f_{SW} = the PWM switching frequency

$V_{SS\ BIAS}$ = the bias voltage of V_{SS} with respect to COM

10.3 P_{LOW} : Power Dissipation of Low Side

The power dissipation of the low side comes from the losses of the logic circuitry and the losses of driving LO.

$$P_{LOW} = P_{LDD} + 2 \cdot P_{LO}$$

$$= (I_{QCC} \cdot V_{CC}) + 2 \cdot \left(V_{CC} \cdot Q_g \cdot f_{sw} \cdot \frac{R_o}{R_o + R_g + R_{g(int)}} \right)$$

Where

P_{LDD} = power dissipation of the internal logic circuitry

P_{LO} = power dissipation from of gate drive stage for LO

R_o = output impedance of LO, typically 20 Ω for the IRS2052M

$R_{g(int)}$ = internal gate resistance of the low side MOSFET, typically 2Ω

R_g = external gate resistance of the low side MOSFET

Q_g = total gate charge of the low side MOSFET

10.4 P_{LSH} : Power Dissipation of the High-side Level Shifter

$$P_{LSH} = 0.4nC \times f_{sw} \times V_{BUS} \times 2$$

Where

f_{sw} = PWM switching frequency

V_{BUS} = difference between the positive bus voltage and negative bus voltage

10.5 P_{HIGH} : Power Dissipation of High Side

The power dissipation of the high side comes from the losses of the logic circuitry and the losses of driving HO.

$$P_{HIGH} = 2 \cdot (P_{LDD} + P_{HO})$$

$$= 2 \cdot (I_{QBS} \cdot V_{BS}) + 2 \cdot \left(V_{BS} \cdot Q_g \cdot f_{sw} \cdot \frac{R_O}{R_O + R_g + R_{g(int)}} \right)$$

Where

P_{LDD} = power dissipation of the internal logic circuitry

P_{HO} = power dissipation of the gate drive stage for HO

R_O = equivalent output impedance of HO, typically 20Ω for the IRS2052M

$R_{g(int)}$ = the internal gate resistance of the high side MOSFET, typically 2Ω

R_g = external gate resistance of the high side MOSFET

Q_g = total gate charge of the high side MOSFET

10.6 P_D : Total Power Dissipation

Total power dissipation, P_D , is given by

$$P_D = P_{MID} + P_{LSM} + P_{LOW} + P_{HSM} + P_{HIGH}$$

10.7 T_J : Junction Temperature

Given junction to ambient thermal resistance $R_{th_{JA}}$, the junction temperature T_J can be calculated from the formula provided below and must not exceed 150°C .

$$T_J = [R_{th_{JA}} \cdot P_d + T_A] < 150^{\circ}\text{C}$$

11 Board Layout Considerations

The floating input section of the IRS2052M consists of a low noise OTA error amplifier and a PWM comparator along with CMOS logic circuitry. The high frequency bypass capacitor $C_{VAA-VSS}$ should be placed closest to the IRS2052M to supply the logic circuitry. C_{VAA} and C_{VSS} are for stable operation of the OTA and should be placed close to the IC.

Gate driver supply capacitors C_{VCC} , C_{VCC2} , C_{VBS1} and C_{VBS2} provide gate-charging current and should also be placed close to the IRS2052M.

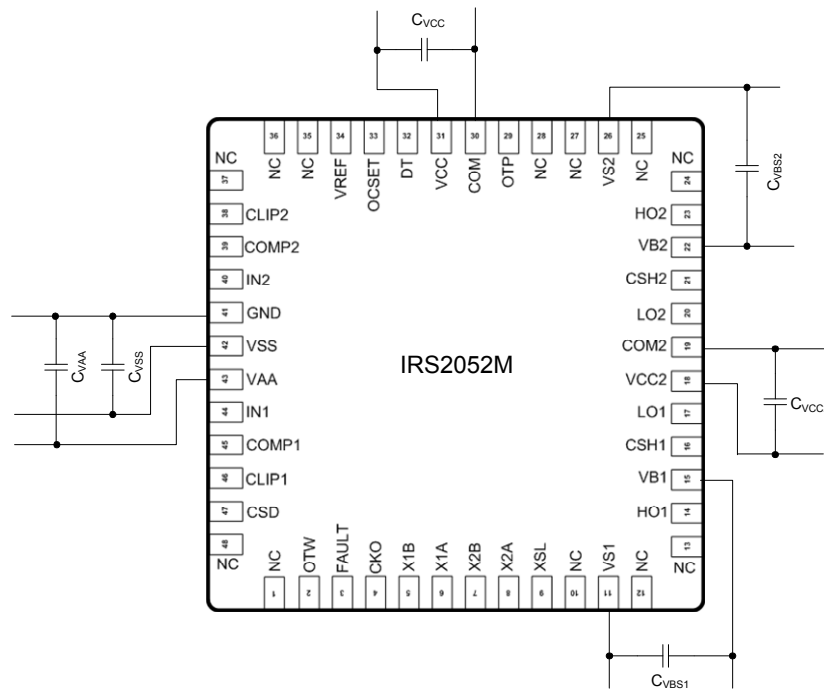


Figure 38 Placement Sensitive Bypass Capacitors

11.1 Ground Plane

In addition to the key component locations mentioned above, it is important to properly pour ground planes to obtain good audio performance. Since each functional block within the IRS2052M refers to different potentials, it is recommended to apply three reference potentials.

11.1.1 Analog Ground

The Input analog section around the OTA is referenced to the signal ground, or GND, which should be a quiet reference node for the audio input signal. The peripheral circuits in the floating input section such as CSD and COM pins refer to this ground. These nodes should all be separate from the switching stages of the system. In order to prevent potential capacitive coupling to the switching nodes, use a ground plane only in this part of the circuit. Do not share the ground plane with gate driver or power stages.

11.1.2 Gate Driver Reference

The gate driver stage of the IRS2052M is located between pins 7 and 30 and is referenced to the negative bus voltage, COM and COM2. This is the substrate of the IC and acts as ground. Although the negative bus is a noisy node in the system, both of the gate drivers refer to this node. Therefore, it is important to shield the gate drive stages with the negative bus voltage so that all the noise currents due to stray capacitances flow back to the power supply without degrading signal ground.

11.1.3 Power Ground

Power ground is the ground connection that closes the loops of the bus capacitors and inductor ripple current circuits. Separate the power ground and input signal grounds from each other as much as possible to avoid common stray impedances.

Figure 39 illustrates how to paint out reference planes. The power GND plane should include a negative bus cap. Power reference plane should include Vcc. Also, use distinctly different symbols for the different grounds.

For further board layout information, refer to AN-1135, PCB Layout with IR Class D Audio Gate Drivers

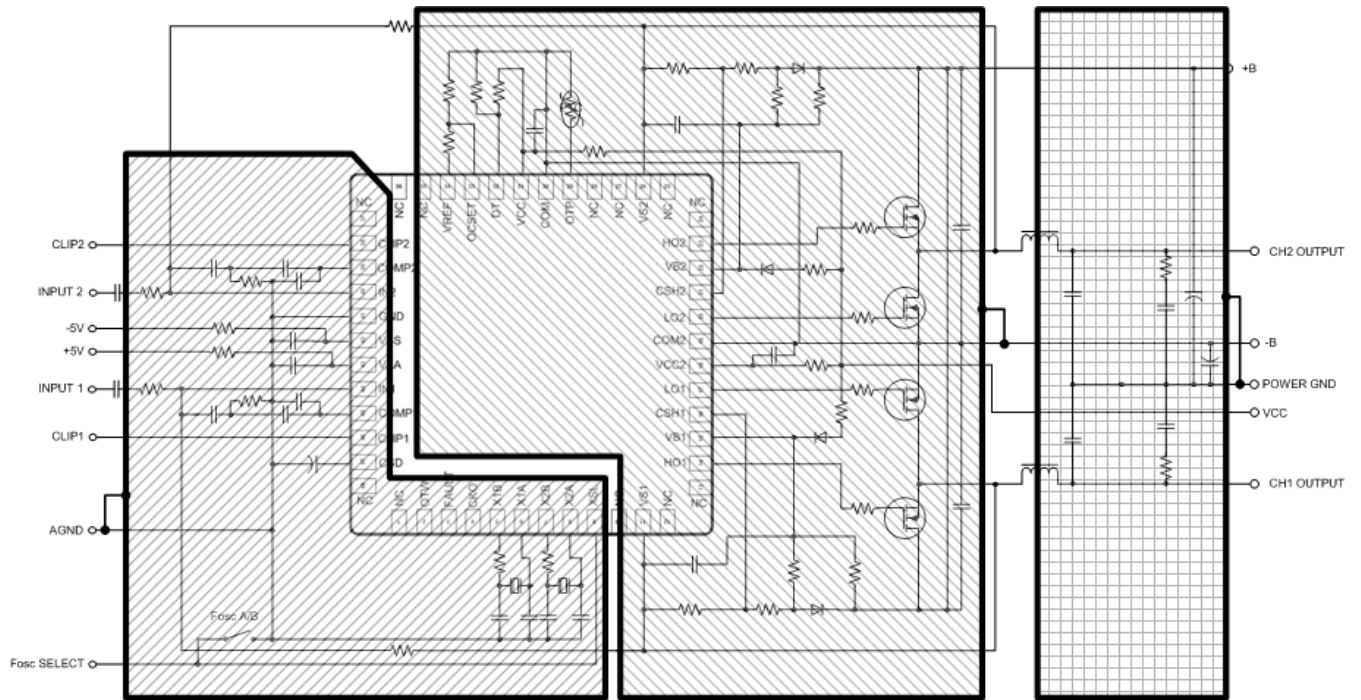


Figure 39 Applying Ground Planes