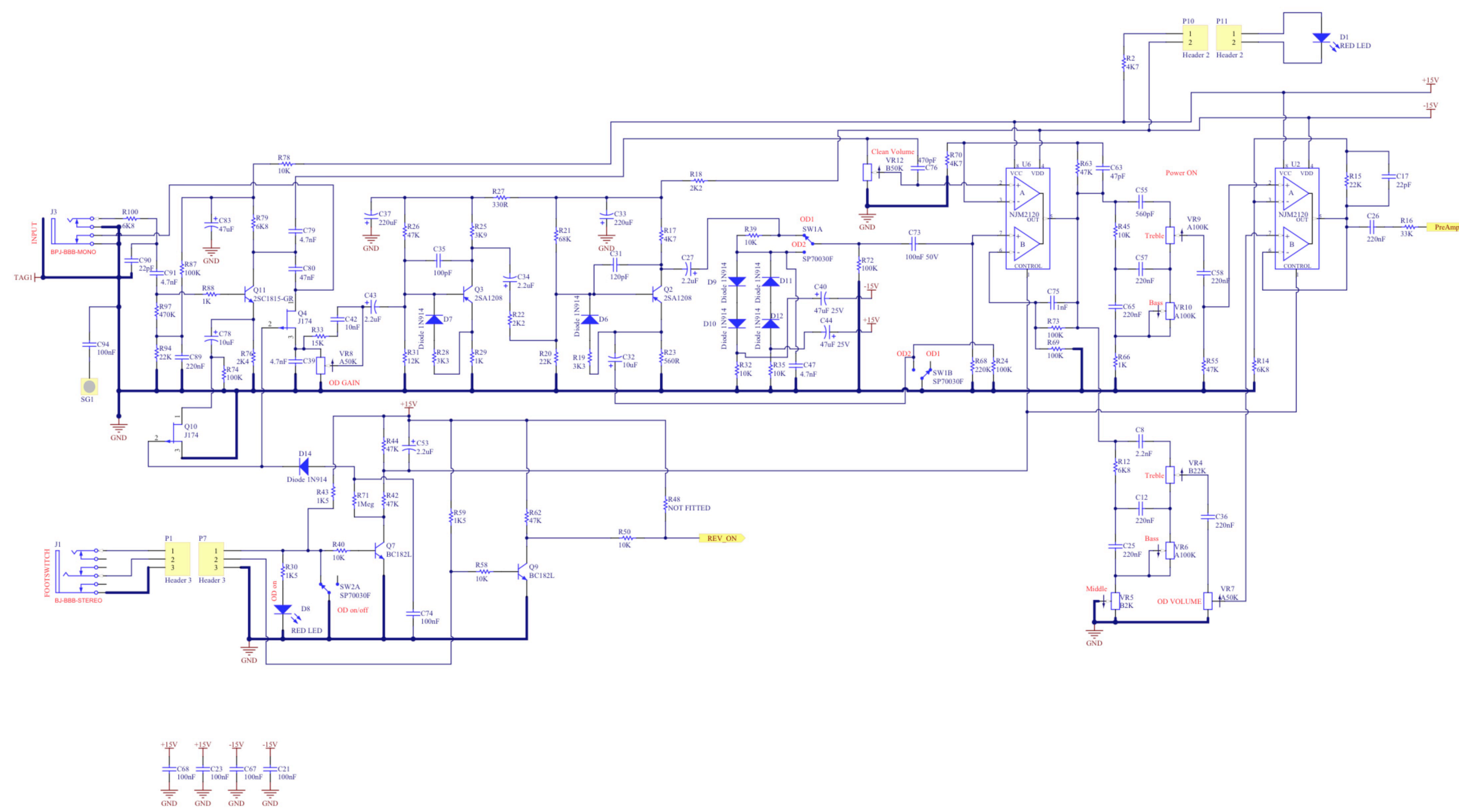


SCHEMATIC DIAGRAM

AC30VR

Preamp



SCHEMATIC DIAGRAM

AC30VR

Power Stage

