

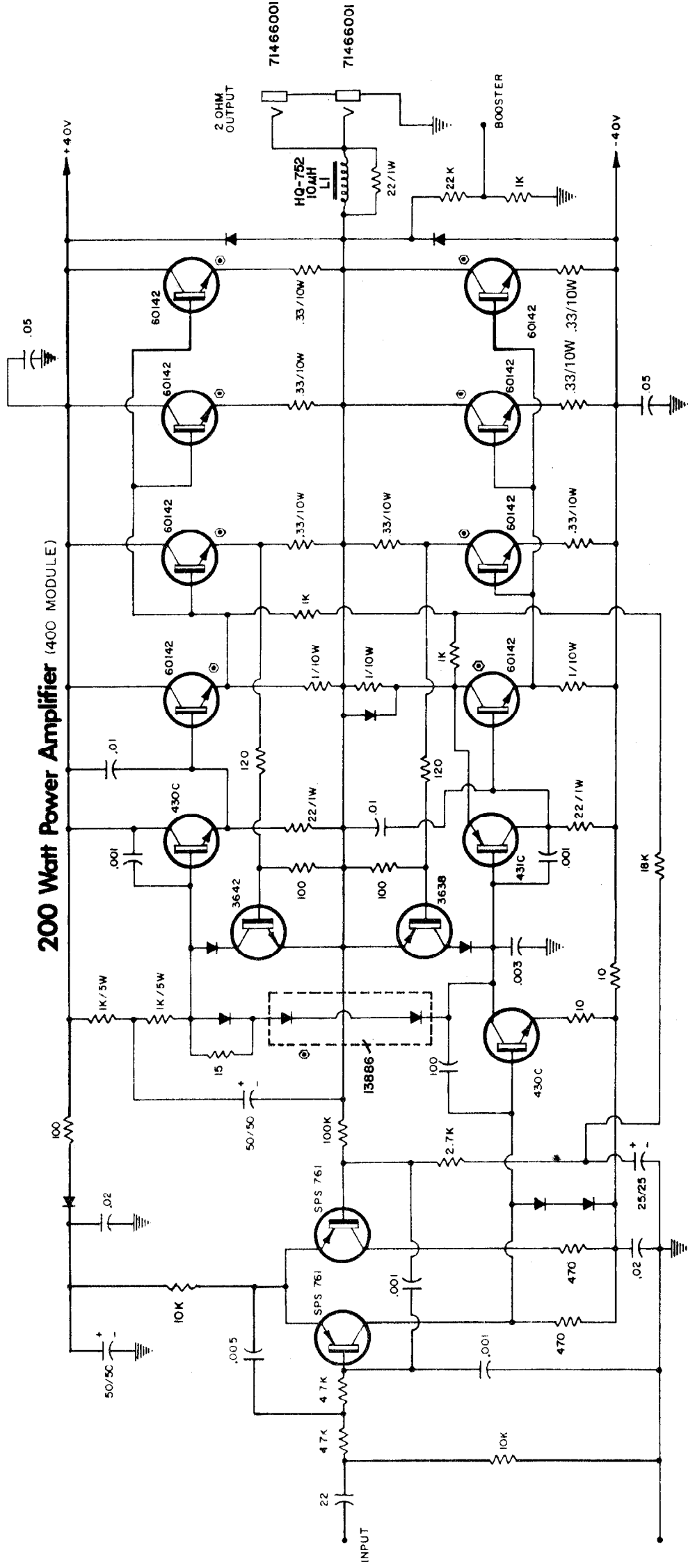
FREQUENCY	C ₁	C ₂	C ₃	R ₁
100	.05	0.1	2/35	4.7K
300	.02	.02	.47	6.8K
600	.01	.01	.22	10K
1200	.005	.005	0.1	10K
2500	.002	.003	.05	10K
5000	.470	.002	.02	4.7K

NOTE:
 ALL CAPACITORS IN MFD UNLESS NOTED
 ALL TRANSISTORS SPS 953 (2N3391A) UNLESS NOTED
 ALL RESISTORS 1/2 WATT UNLESS NOTED
 ALL DIODES IN4003
 ALL POTENTIOMETERS HPC
 71190007 = 10K LIN
 71190008 = 50K LIN

BASS 400 PREAMP / A-SERIES

P/N 81515016

200 Watt Power Amplifier (400 MODULE)

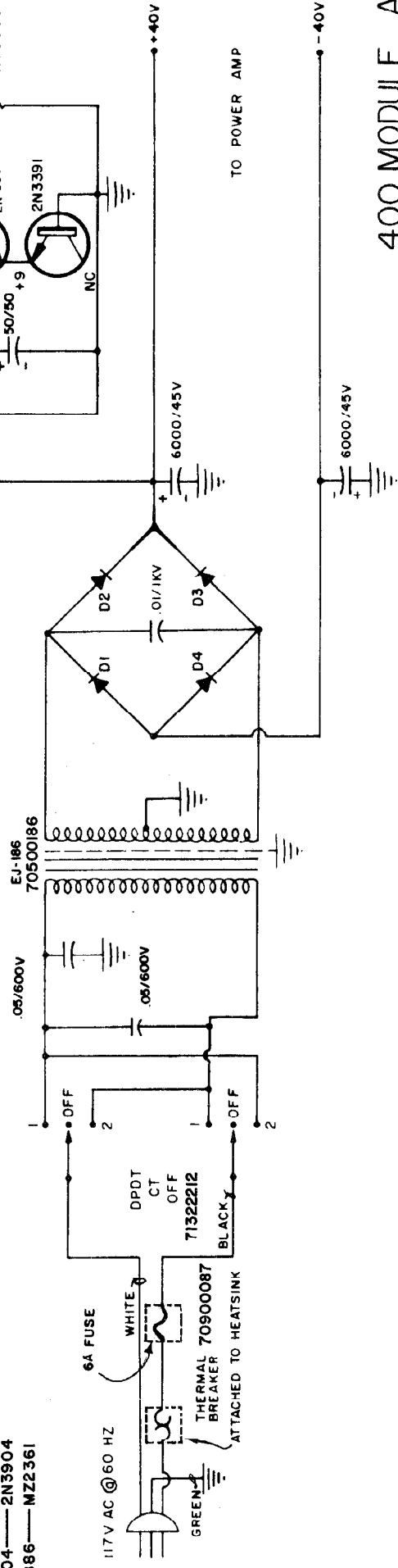


TRANSISTOR CROSS REFERENCE LIST

- 761 — 2N5400
- 3642 — 2N3642
- 3638 — 2N3638
- 430 — TIP 31C
- 431 — TIP 30C
- 60142 — 2N3772
- 953 — 2N3391A
- 690 — 2N4249
- 3904 — 2N3904
- 13886 — MZ2361

⊗ ATTACHED TO HEATSINK
ALL DIODES ARE 1A UNLESS NOTED
D1 - D4 MR752 (6A-200V)

Peavey® Solid State Power Supply



400 MODULE A-SERIES

P/N 81505036