

Bill Of Materials for CS3000/4000/4080.HZ Schematic on Jun 19, 2005

QTY	PEAVEY P/N	CREST P/N	OP P/N	REF-DES	PART DESC	MFG	MFG P/N
4	70300204			C103-104 C303-304	CAPACITOR CERAMIC X7R .1uF/250V SMD 1210	MURATA	GHM1535B104K250
6			22-4210406-10-34	C22-23 C105 C199 C305 C399	CAPACITOR POLY 100nF/250V	MAN YUE	22-4210406-10-34
1	73714951			J1	CONNECTOR, PIN-6 PIN MALE HEADER	MOLEX	15-31-1-66
4	70200143			R155 R226 R355 R426	RESISTOR 1K21 1/4W 1% SMD 1206		
4	70200425			R111 R174 R374-375	RESISTOR 1R 1W 5% SMD 2512	SEI	RMC1 1.0 5% R
3	70400316		27-3031710-06-00	IC103 IC203 IC403	IC,REG POS VOLT ADJ 2-24V	JRC	NJM317F
1	70400337		27-3133710-06-00	IC303	REGULATOR NEG REG-ADJ 2-24V	NATIONAL	LM337T
2			OP Selected	R165 R365	RESISTOR 2.2K 7W VERTICAL		
2			30-0501106-02-64	VR100 VR200	RESISTOR,VARIABLE 500R CARBON		
2			34-1020010-00-98	J200 J400	HEADER, LOCKING 2 PIN .156 TIN		
2			OP Selected	R166 R366	RESISTOR 3.3K 7W VERTICAL		
4	70200353			R126-127 R326-327	RESISTOR 56.2K W5 1% SMD 2010	PANASONIC	ERJ14NF5622V
8			OP Selected	C1-8	CAPACITOR ELECTRO RADIAL 12,000 uF/80V .5LS	SAMXON	
4			OP Selected	J506-508 J510			
2			OP Selected	J100 J103	7 PIN HEADER		
2			OP Selected	J300 J303	7 PIN RIBBON CABLE		
6			OP Selected	LED100-102 LED300-302	LIGHT EMITTING DIODE AS PER CS2000		
36	70418328			D1-4 D185-187 D190-192 D201-209 D385-387 D390-392 D401-409 D501-502	DIODE HI-SPEED SWITCH (500mw) SMD SOD123	DIODES INC	LL4148
8	70418328			D100-102 D300-302 D304 D104	DIODE HI-SPEED SWITCH (500mw) SMD SOD123	DIODES INC	1N4148W
2	71466449			J102 J302	NEUTRIK COMBO FEMALE CONNECTOR	NEUTRIK	NCJ9FI-V
4	70418431			IC104 IC304 IC500 IC502	IC OP-AMP SMD SO-8	JRC	NE5532AD
2				J106 J306	NEUTRIK SPEAKON CONNECTOR	NEUTRIK	NL4MD-V-I
2			23-6001000-00-20	R33-34	THERMISTOR 1 OHM, 30 AMP		SG-405
5			OP Subassembly	G1 J3-6	WIRE WITH PUSH-ON LUG		
2			OP Selected	J107 J307	BINDING POST ASSEMBLY		
2				S1-2			
1	71322388			RL1	RELAY SPST 24VDC	TYCO	T9AS1D12-24
2			OP Selected	VR101 VR301	POTENTIOMETER, 2KB LINEAR		
2	70300098	19500044		C204 C404	CAPACITOR ELECTRO 220uF/50V SMD G	PANASONIC	ECE-V1HA221P
2		19700033		C100 C300	CAPACITOR CERAMIC Y5V 1UF/25V SMD 1206	MURATA	GRM31MF51E105ZA01
2	70300090	19700041		C123 C323	CAPACITOR CERAMIC C0G 470pF/50V SMD 0805	MURATA	GRM21B5C2A471JZ01B
4		19700047		C13-14 C159 C359	CAPACITOR CERAMIC Y5V 10UF/35V SMD 1210	MURATA	GRM235Y5V106Z35T646
6	70300111	19700051		C120-122 C320-322	CAPACITOR CERAMIC C0G 47pF/50V SMD 0805	MURATA	GRM40C0G470J50BD
1		24000315		J500	CONNECTOR HEADER 2 PIN 0.1"	MOLEX	22-10-7028
1	70418231	57500170		IC504	IC DUAL OTA SMD SO-16	JRC	NJM13700M
8	70200213	81170002		R100-103 R300-303	RESISTOR 7.5K 1/10W .1% SMD 0805	PANASONIC	ERA-6YEB752V
2	70200214	81200002		R107 R307	RESISTOR 2K21 1/4W 1% SMD 1206		
5	70200051	81200019		R110 R112 R304 R310 R312	RESISTOR 10K0 1/4W 1% SMD 1206		
2	70200099	81200028		R217 R417	RESISTOR 47K5 1/4W 1% SMD 1206		
4	70200161	81200047		R108-109 R308-309	RESISTOR 511R 1/4W 1% SMD 1206		
2	70200047	81200111		R113 R313	RESISTOR 1K0 1/4W 1% SMD 1206		
2	70200230	81200149		R106 R306	RESISTOR 22K1 1/4W 1% SMD 1206		
2	70418311	94250019		Q100 Q300	TRANSISTOR NPN SMD SOT-23	SANYO	2SC4695
4	70300097	C19500026		C115 C194 C315 C394	CAPACITOR ELECTRO 100uF/25V SMD 8X10	UCC	MVK25VC101M8X10TP
13	70300098	C19500044		C9-12 C116-117 C152 C205 C316-317 C352 C405 C501	CAPACITOR ELECTRO 220uF/50V SMD G	PANASONIC	ECE-V1HA221P
3	70300100	C19500046		C24 C207 C407	CAPACITOR ELECTRO 470uF/10V SMD G	PANASONIC	ECE-V1AA471P
2		C19500048		C193 C393	CAPACITOR POLY PHENYLENE 1U/16V SMD 1210	CDE	FCA120C105M-G2
4	70300103	C19700032		C110 C198 C310 C398	CAPACITOR CERAMIC C0G 120pF/500V SMD 1206	MURATA	GRM42-6C0G121J500BL
16		C19700033		C150-151 C153 C188-189 C200-201 C206 C350-351 C353 C388-389 C400-401 C406	CAPACITOR CERAMIC Y5V 1UF/25V SMD 1206	MURATA	GRM42-6Y5V105Z2C500
8	70300090	C19700041		C114 C118-119 C126 C314 C318-319 C326	CAPACITOR CERAMIC C0G 470pF/50V SMD 0805	MURATA	GRM21B5C2A471JZ01B
8		C19700045		C127-128 C202-203 C327-328 C402-403	CAPACITOR CERAMIC X7R .1UF/50V SMD 1206	MURATA	GRM42-6X7R104K050BD
3		C19700047		C208 C213 C408	CAPACITOR CERAMIC Y5V 10UF/35V SMD 1210	MURATA	GRM235Y5V106Z35T646
2		C19700048		C134 C334	CAPACITOR CERAMIC NPO 1000pF/200V SMD 1206	JOHANSON	201R18N102JV4E
12		C19700050		C109 C111-113 C196-197 C309 C311-313 C396-397	CAPACITOR CERAMIC NPO 39PF/200V SMD 1206	NOVACAP	C1206N390K201NT
2		C22000002		L100 L300	INDUCTOR COIL 10GA LARGE	CREST	23A1358-02
1		C24000052		J2	.156 CENTER STRAIGHT SQUARE 4 PIN LOCKING HEADER	MOLEX	26-60-4040
4		C24000315		J9 J14 J101 J301	CONNECTOR HEADER 2 PIN 0.1"	MOLEX	22-10-7028
4	70418269	C27500040		D109-110 D309-310	RECTIFIER SCHOTTKY (16 AMP) SMD TO263AB	IR	16CTQ100S
11	70418270	C27500041		Z104-108 Z304-308 Z500	DIODE ZENER (18V, 3W) SMD SMB	MOTOROLA	1SMB5931BT3
2	70418028	C27500042		Z103 Z303	DIODE,ZENER (3.6V, 500mw) SMD MLL-34	MOTOROLA	MLL5227
3		C27500043		Z200-201 Z400	DIODE,ZENER (6.2V, 500mw) SMD SOD-123	MOTOROLA	MMS24691T1
14	70418272	C27500044		D188-189 D193-194	DIODE, ULTRA FAST (1A,600V) SMD SMB	MOTOROLA	MURS160T3

			D196-197 D210 D388-389			
			D393-394 D396-397 D410			
4	70418014	C57000232	IC105-106 IC305-306	IC VOLTAGE COMPARATOR SMD SO-8	NATIONAL SEMI	LM311M
2		C57500001	IC101 IC301	IC DUAL COMPARATOR SMD SO-8	NATIONAL SEMI	LM393M
4		C57500047	IC200-201 IC400-401	IC DUAL OP-AMP SMD SO-8	MOTOROLA	LM358D
2	70418252	C57500167	IC505-506	IC, TEMP SENSOR SMD SO-8	NATIONAL SEMI	LM35DM
2		C57500168	IC102 IC302	IC DUAL MONOLITHIC OP-AMP SMD SO-8	JRC	NJM5534M
1		C700000001	B1	BRIDGE RECTIFIERS 2.0 AMP	DIODES INC.	RS202
2		C700000063	B2-3	RECTIFIER, MINIBRIDGE (50A)	EIC	RBV5008
2	71322387	C72000012	RL100 RL300	RELAY SPST 24 VDC	SONG CHUAN	897P-1AH-C
4		C77500043	R163 R179 R363 R379	RESISTOR 2R4 5W 5%	DALE	CA-51002R45%
2	70250166	C77500046	R125 R325	RESISTOR 7R5 5W 5%	DALE	CA-51007R55%
28		C77500047	R186-199 R386-399	RESISTOR 0.33 5W 5%	DALE	CA-5100R335%
2		C81100025	F1-2	POLYSWITCH, 1.1AMP PTC SMD MF-SM075	BOURNS	MF-SM100
2	70200213	C81170002	R227 R427	RESISTOR 7.5K 1/10W .1% SMD 0805	PANASONIC	ERA-6YEB752V
25	70200214	C81200002	R130 R133 R136 R154 R162	RESISTOR 2K21 1/4W 1% SMD 1206		
			R185 R202-203 R207-208			
			R218 R241 R330 R333 R336			
			R354 R362 R385 R402-403			
			R407-408 R418 R441 R500			
2	70200215	C81200007	R225 R425	RESISTOR 221K 1/4W 1% SMD 1206		
26	70200126	C81200018	R105 R114 R116-119	RESISTOR 100K 1/4W 1% SMD 1206		
			R131-132 R138-139			
			R141-142 R305 R314			
			R316-319 R331-332			
			R338-339 R341-342			
			R508-509			
29	70200051	C81200019	R104 R134 R137 R144	RESISTOR 10K0 1/4W 1% SMD 1206		
			R147-148 R169 R204 R206			
			R233-235 R237 R239 R334			
			R337 R344 R347-348 R369			
			R404 R406 R433-435 R437			
			R439 R510-511			
8	70200099	C81200028	R145-146 R209 R213	RESISTOR 47K5 1/4W 1% SMD 1206		
			R345-346 R409 R413			
2	70200160	C81200036	R161 R361	RESISTOR 15K0 1/4W 1% SMD 1206		
5		C81200042	R180-181 R380-381 R501	RESISTOR 221R 1/4W 1% SMD 1206		
14	70200161	C81200047	R1-2 R128-129 R172-173	RESISTOR 511R 1/4W 1% SMD 1206		
			R176-177 R328-329			
			R372-373 R376-377			
2	70200060	C81200097	R216 R416	RESISTOR 100R 1/4W 1% SMD 1206		
14	70200047	C81200111	R149-150 R210-212 R219	RESISTOR 1K0 1/4W 1% SMD 1206		
			R245 R349-350 R410-412			
			R419 R445			
6		C81200124	R143 R224 R238 R343 R424	RESISTOR 1M0 1/4W 1% SMD 1206		
			R438			
18	70200049	C81200141	R120-123 R153 R168 R171	RESISTOR 4K99 1/4W 1% SMD 1206		
			R236 R320-323 R353 R368			
			R371 R436 R506-507			
9	70200230	C81200149	R140 R201 R214 R270 R340	RESISTOR 22K1 1/4W 1% SMD 1206		
			R401 R414 R442 R470			
4		C81200150	R156-157 R356-357	RESISTOR 49R9 1/4W 1% SMD 1206		
2	70200233	C81200154	R504-505	RESISTOR 365R 1/4W 1% SMD 1206		
4		C81200155	R124 R170 R324 R370	RESISTOR 392K 1/4W 1% SMD 1206		
10	70200236	C81500006	R158-159 R200 R205 R231	RESISTOR 2K2 W5 5% SMD 2010		
			R358-359 R400 R405 R431			
12	70200237	C81700002	R135 R151-152 R160	RESISTOR 10K 1W 1% SMD 2512		
			R229-230 R335 R351-352			
			R360 R429-430			
8	70200238	C81800012	R167 R182-184 R367	RESISTOR 22R 1W 5% SMD 2512		
			R382-384			
2		C81800013	R220 R420	RESISTOR 10R 1W 5% SMD 2512		
7		C90000003	BLK1-3 LUG1-2 W/B1 WHT1	TAB 1/4" #1021	ZIERICK	1021
2		C94000013	TR200 TR400	TRIAC (600mA)	MOTOROLA	MAC97A
2	70401837	C94000132	Q105 Q305	TRANSISTOR PNP	TOSHIBA	2SA1837
2	70404793	C94000133	Q104 Q304	TRANSISTOR NPN	TOSHIBA	2SC4793
4		C94000155	Q131-132 Q331-332	TRANSISTOR N-CH IGBT	INTERSIL	HGTG30N60C3D
14		C94250001	Q102 Q110 Q135-136 Q200	TRANSISTOR PNP SMD SOT-23	MOTOROLA	MMBT5401
			Q204 Q206 Q302 Q310			
			Q335-336 Q400 Q404 Q406			
16		C94250002	Q109 Q133-134 Q201 Q205	TRANSISTOR NPN SMD SOT-23	MOTOROLA	MMBT5551
			Q207-209 Q309 Q333-334			
			Q401 Q405 Q407-409			
2		C94250007	IC100 IC300	TRANSISTOR QUAD COMPLEMENTARY PAIR SMD SO-16	MOTOROLA	MMPQ6700
4	NOT USED	NOT USED	C124-125 C324-325	NOT USED		
2	NOT USED	NOT USED	C102 C302	NOT USED		
2	NOT USED	NOT USED	R115 R315	NOT USED		

Model Dependant Items For CS3000

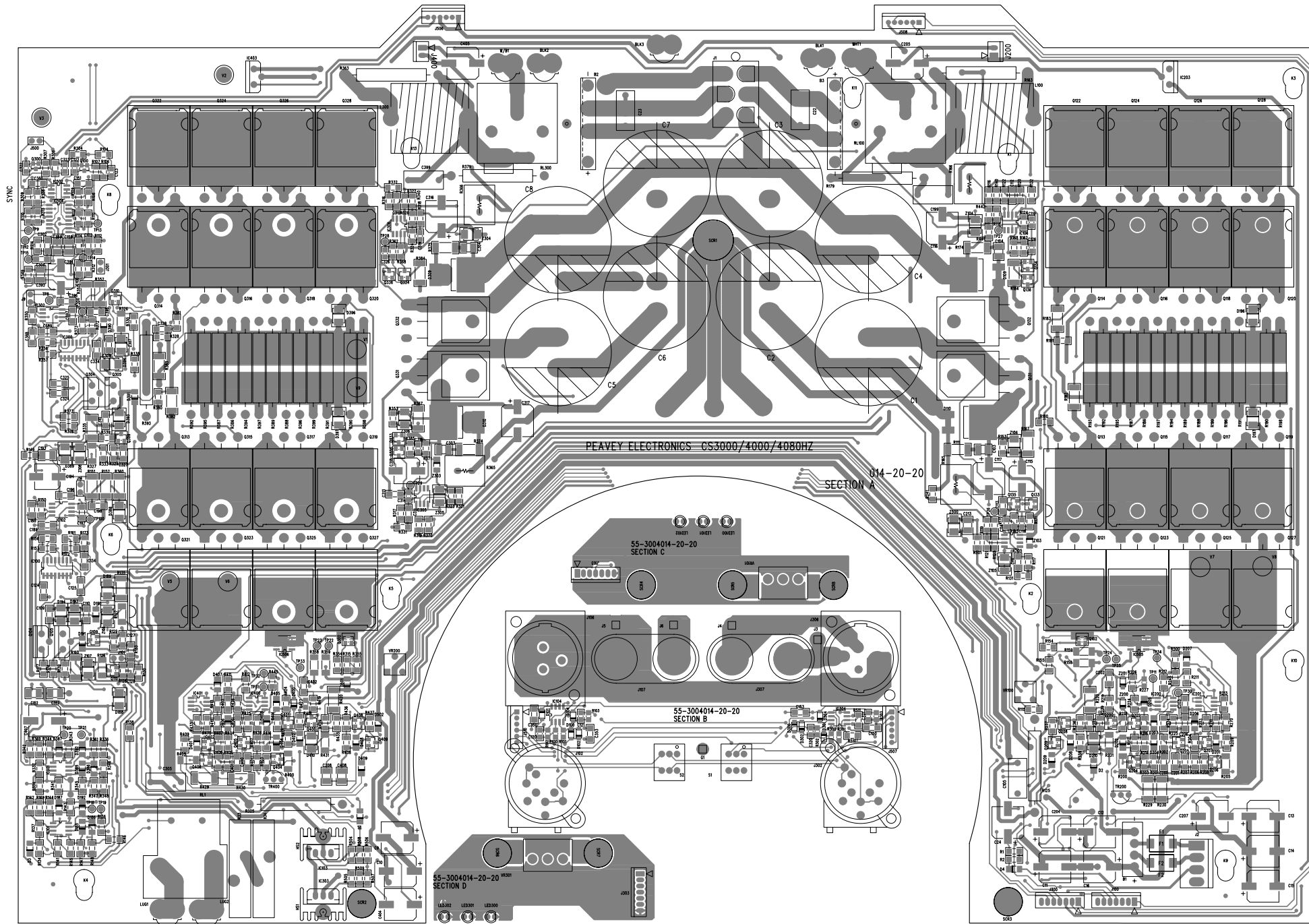
QTY	PEAVEY P/N	REFERENCE DESGINATORS	DESCRIPTION	MANUFACTURER	MANUF PART #
16	70457230	Q114 Q116 Q118 Q120 Q122 Q124 Q126 Q128 Q314 Q316 Q318 Q320 Q322 Q324 Q326 Q328	TRANSISTOR PNP	TOSHIBA	2SA1943
16	70467230	Q113 Q115 Q117 Q119 Q121 Q123 Q125 Q313 Q315 Q317 Q319 Q321 Q323 Q325 Q327 Q127	TRANSISTOR NPN	TOSHIBA	2SC5200

Model Dependant Items For CS4080HZ

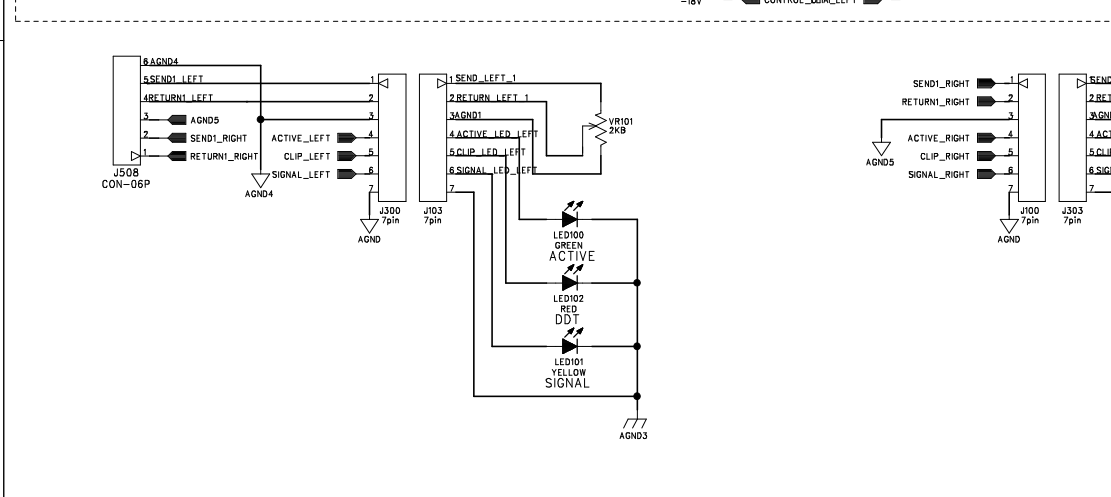
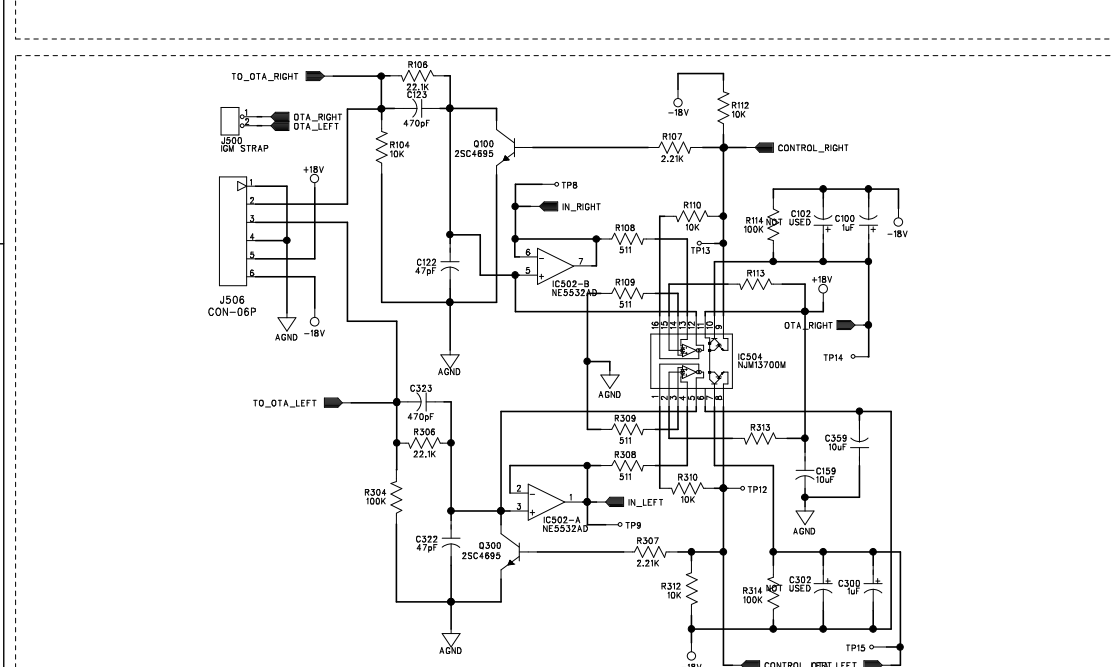
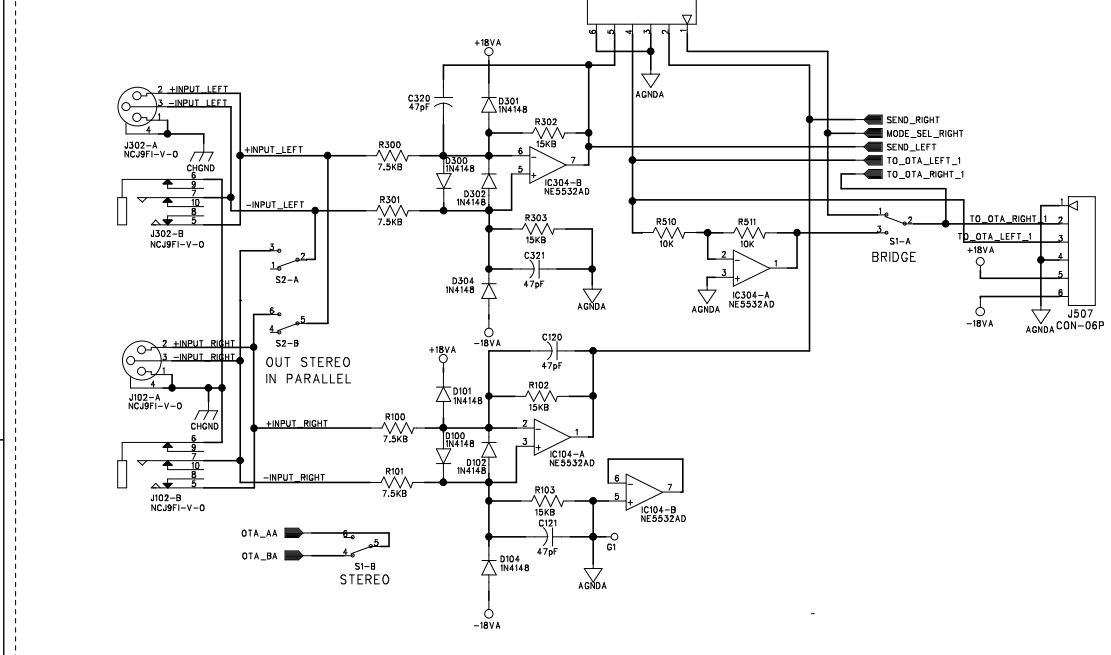
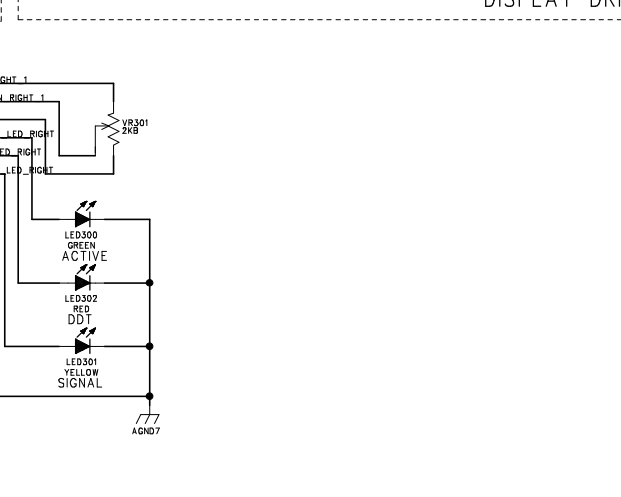
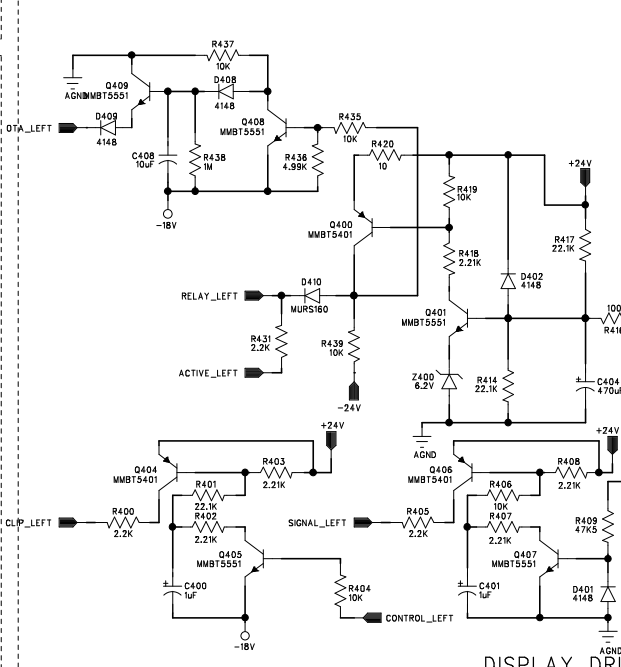
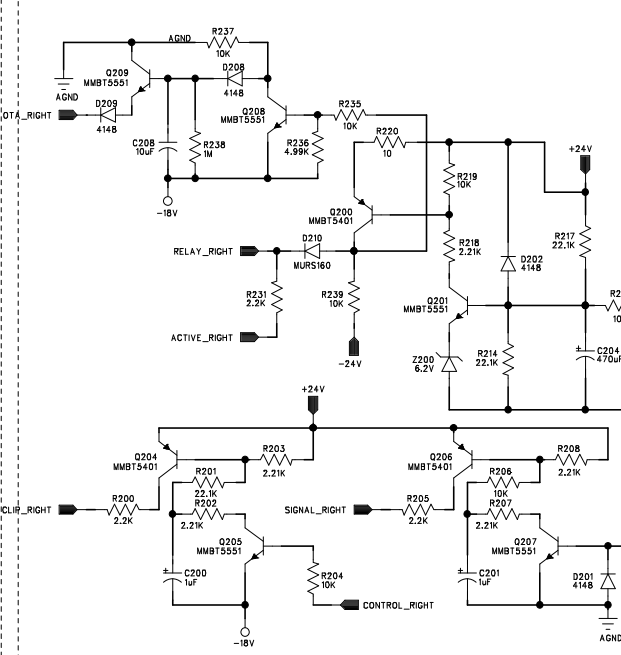
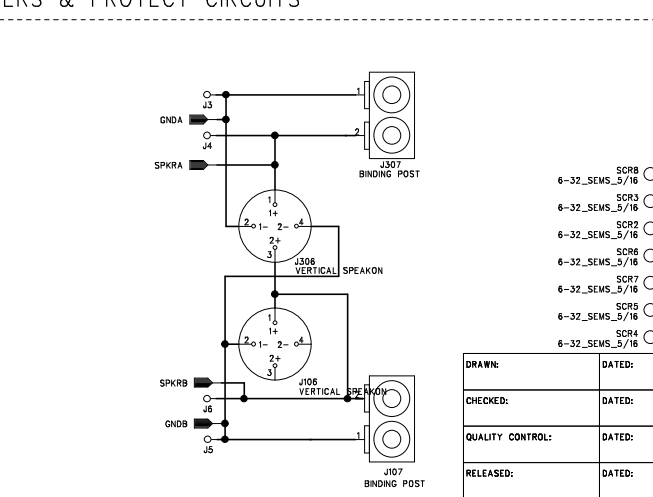
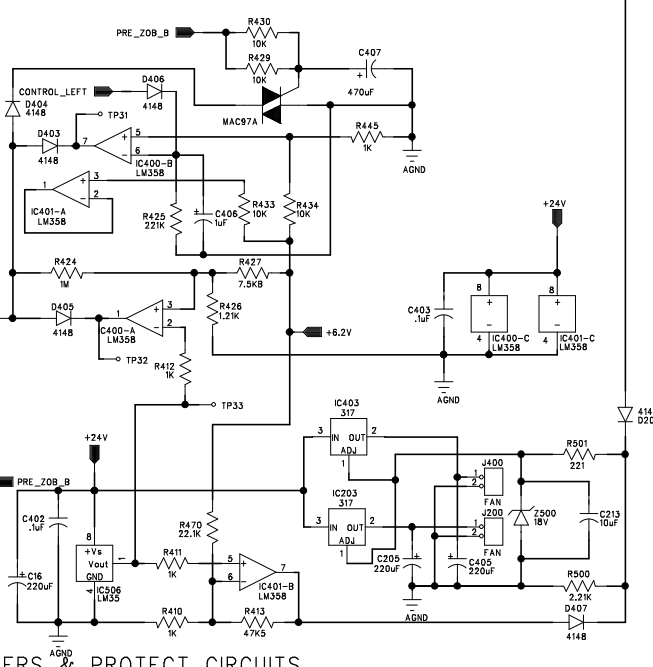
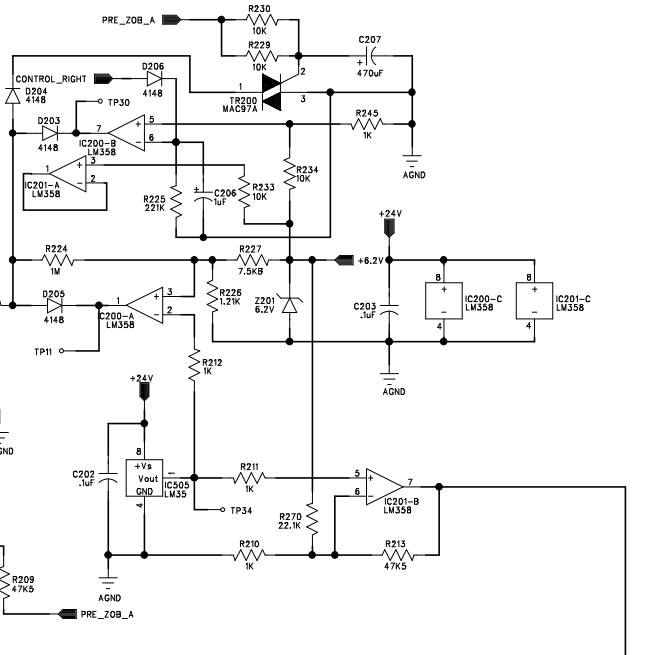
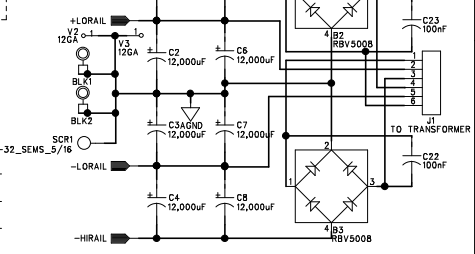
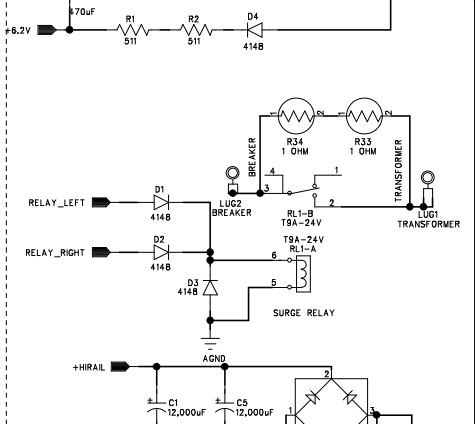
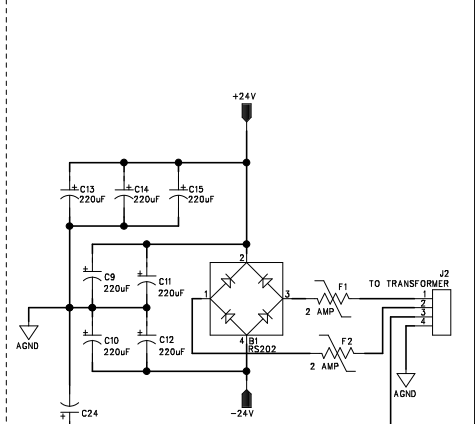
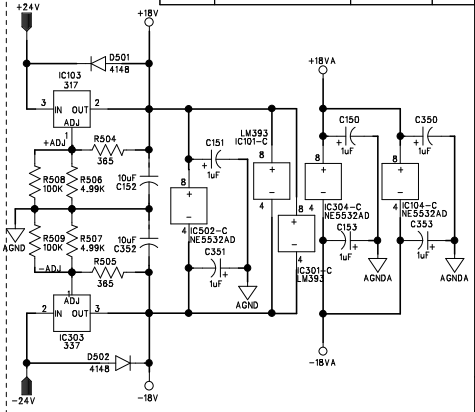
QTY	PEAVEY P/N	REFERENCE DESGINATORS	DESCRIPTION	MANUFACTURER	MANUF PART #
14	70400193	Q116 Q118 Q120 Q122 Q328 Q124 Q126 Q128 Q314 Q316 Q318 Q320 Q322 Q324 Q326	TRANSISTOR PNP	ON SEMI	MJL21193
14	70400194	Q115 Q117 Q119 Q121 Q127 Q123 Q125 Q313 Q315 Q317 Q319 Q321 Q323 Q325 Q327	TRANSISTOR NPN	ON SEMI	MJL21194
2	70404281	Q113 Q313	TRANSISTOR NPN	ON SEMI	MJL4281A
2	70404302	Q114 Q314	TRANSISTOR PNP	ON SEMI	MJL4302A
4	70200235	R126 R127 R326 R327	RESISTOR 68.1K 1/2 WATT	GENERIC	
4		Z107 Z108 Z207 Z208	ZENER 56 VOLT	ON SEMI	1SMB5943BT3

Model Dependant Items For CS4000

QTY	PEAVEY P/N	REFERENCE DESGINATORS	DESCRIPTION	MANUFACTURER	MANUF PART #
16	70458200	Q114 Q116 Q118 Q120 Q122 Q124 Q126 Q128 Q314 Q316 Q318 Q320 Q322 Q324 Q326 Q328	TRANSISTOR PNP	TOSHIBA	2SA1302-0
16	70468200	Q113 Q115 Q117 Q119 Q121 Q123 Q125 Q313 Q315 Q317 Q319 Q321 Q323 Q325 Q327 Q127	TRANSISTOR NPN	TOSHIBA	2SC3281-0

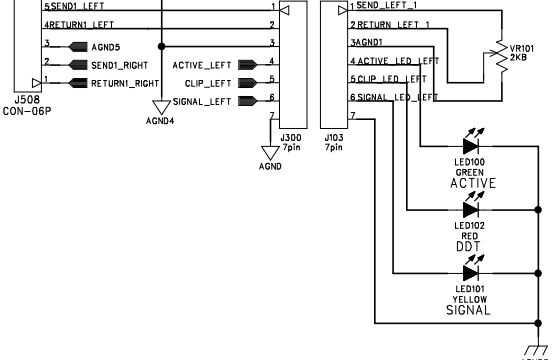
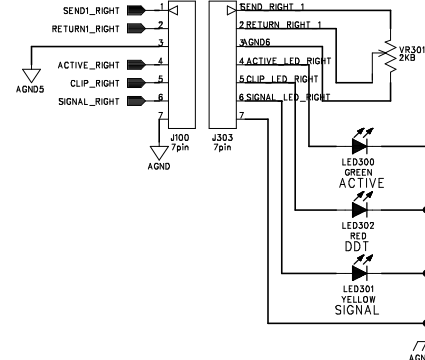
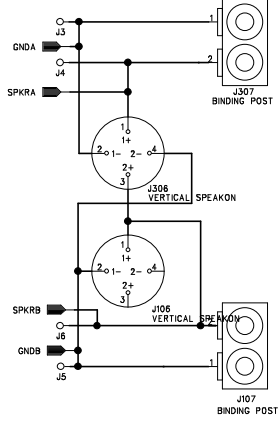


REVISION RECORD			
LTR	ECO NO.	APPROVED:	DATE:

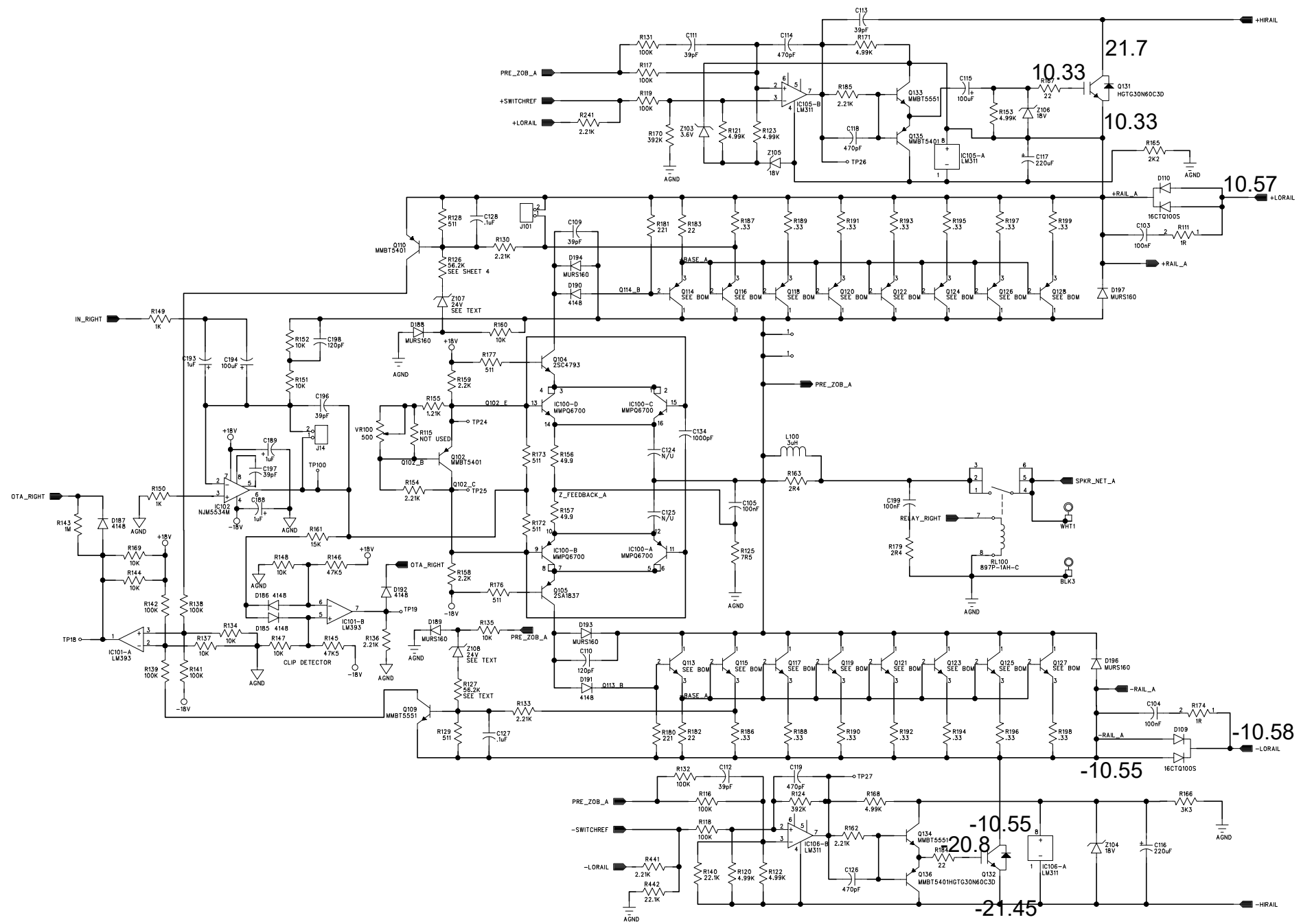


PEAVEY ELECTRONICS 711 A STREET MERIDIAN, MISSISSIPPI 39301			
DRAWN:	DATE:	TITLE:	REV:
CHECKED:	DATE:	DRAWING NO.:	REV:
QUALITY CONTROL:	DATE:	SIZE: CODE: PCB #:	REV:
RELEASED:	DATE:	ASSY #:	REV:
DATE: 2/18/05		SHEET: 1 OF 3	

- 6-32_SEMS_5/16
- 6-32_SEMS_3/16
- 6-32_SEMS_5/16
- 6-32_SEMS_5/16
- 6-32_SEMS_5/16
- 6-32_SEMS_3/16
- 6-32_SEMS_5/16
- 6-32_SEMS_5/16



REVISION RECORD			
LTR	ECO NO.	APPROVED:	DATE:



PEAVEY ELECTRONICS
 711 A STREET
 MERIDIAN, MISSISSIPPI 39301

TITLE: CS3000 - CS4080HZ CH B

DRAWN:	DATED:	TITLE:	CS3000 - CS4080HZ CH B
CHECKED:	DATED:	DRAWING NO.:	
QUALITY CONTROL:	DATED:	SIZE: CODE:	
RELEASED:	DATED:	PCB #:	
		ASSY #:	
		DATE:	

6

5

4

3

2

1

REVISION RECORD			
LTR	ECO NO:	APPROVED:	DATE:

D

D

C

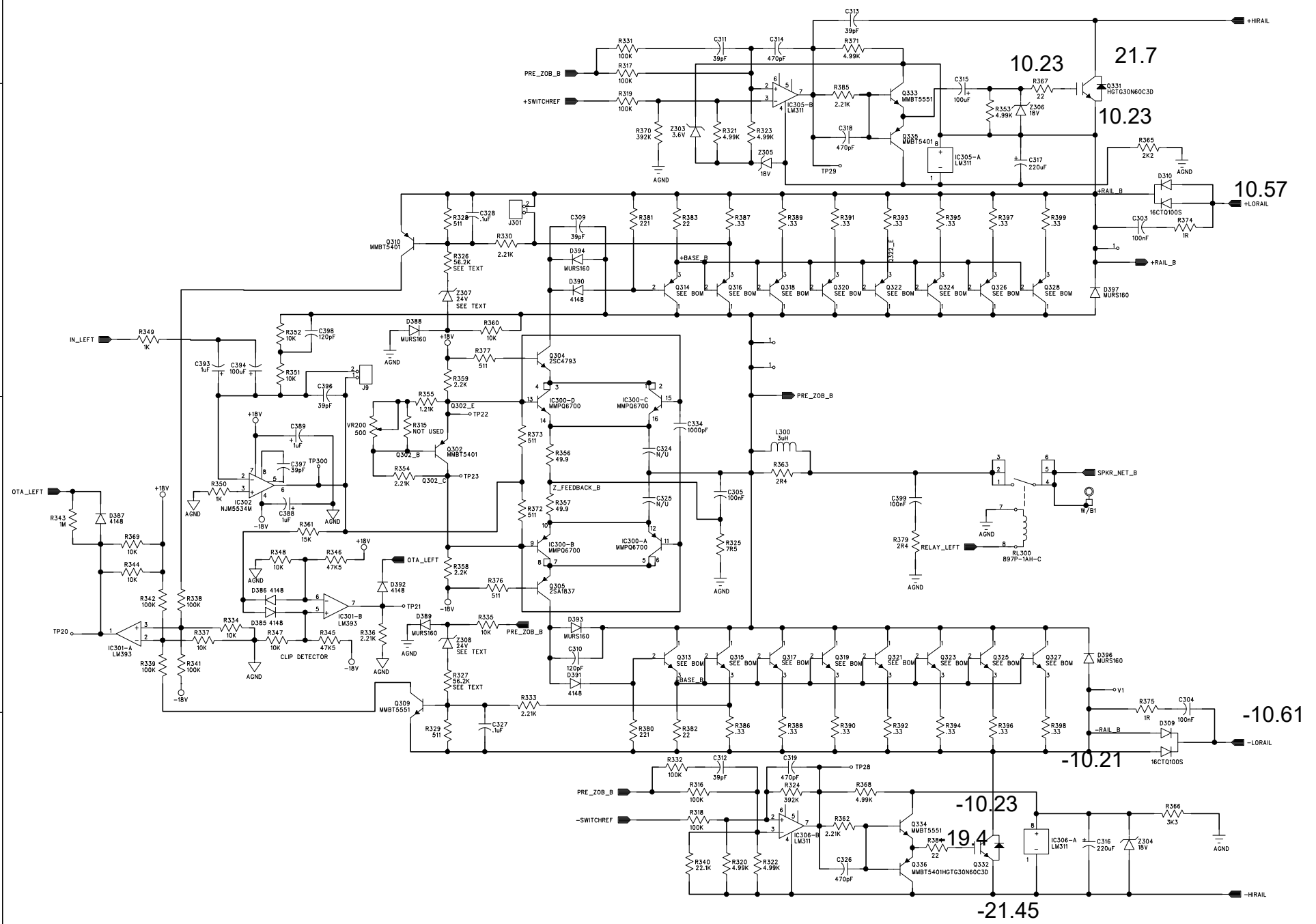
C

B

B

A

A



PEAVEY ELECTRONICS
 711 A STREET
 MERIDIAN, MISSISSIPPI 39301

DRAWN:	DATED:	TITLE: CS3000 - CS4080HZ CH A	REV:
CHECKED:	DATED:	DRAWING NO:	REV:
QUALITY CONTROL:	DATED:	SIZE: CODE: PCB #:	REV:
RELEASED:	DATED:	ASSY #:	REV:
DATE:	SHEET: 3 OF 3		