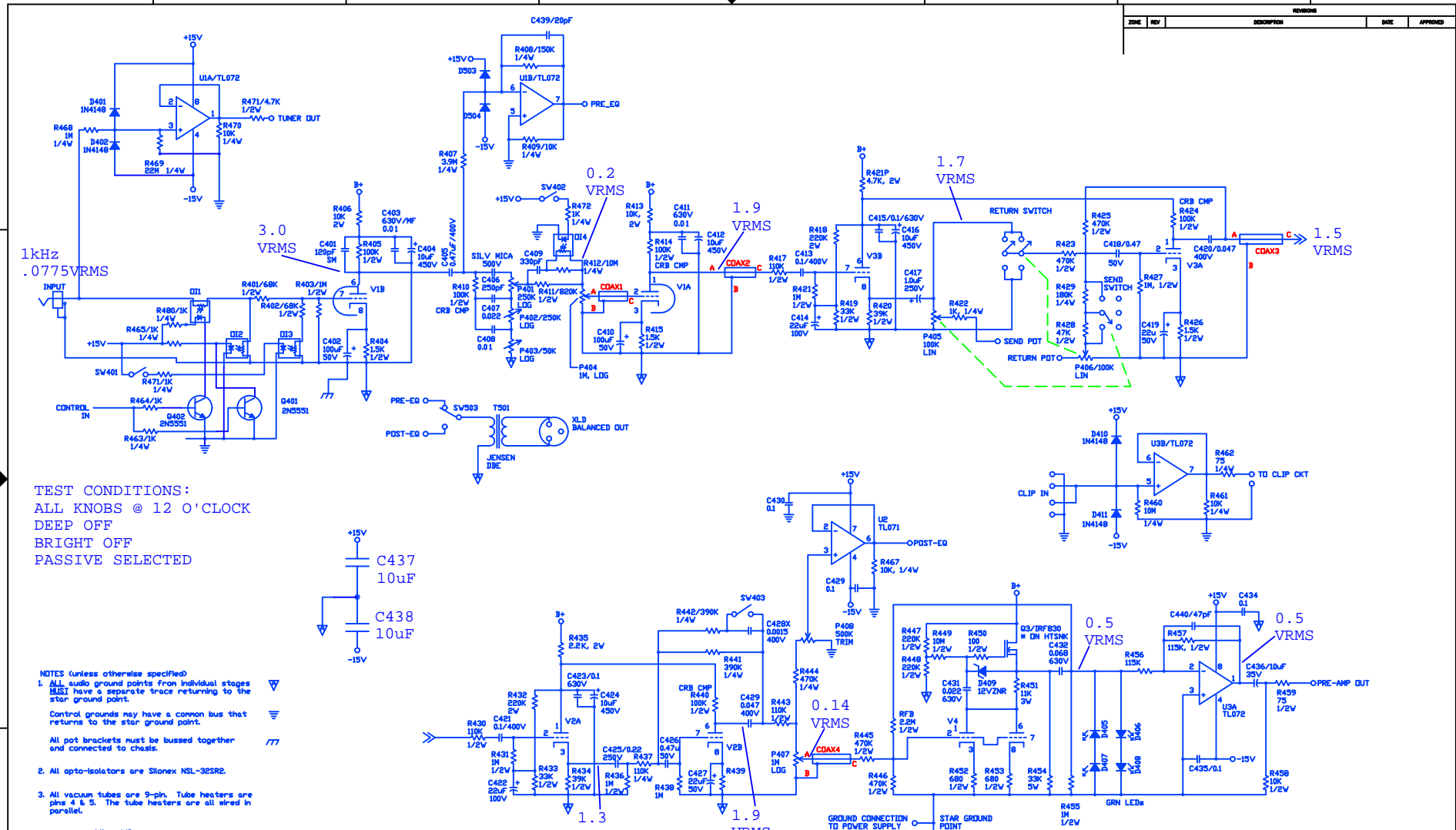
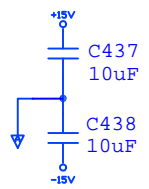


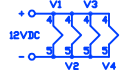
REVIEWS		DATE	APPROVED
ZONE	REV		



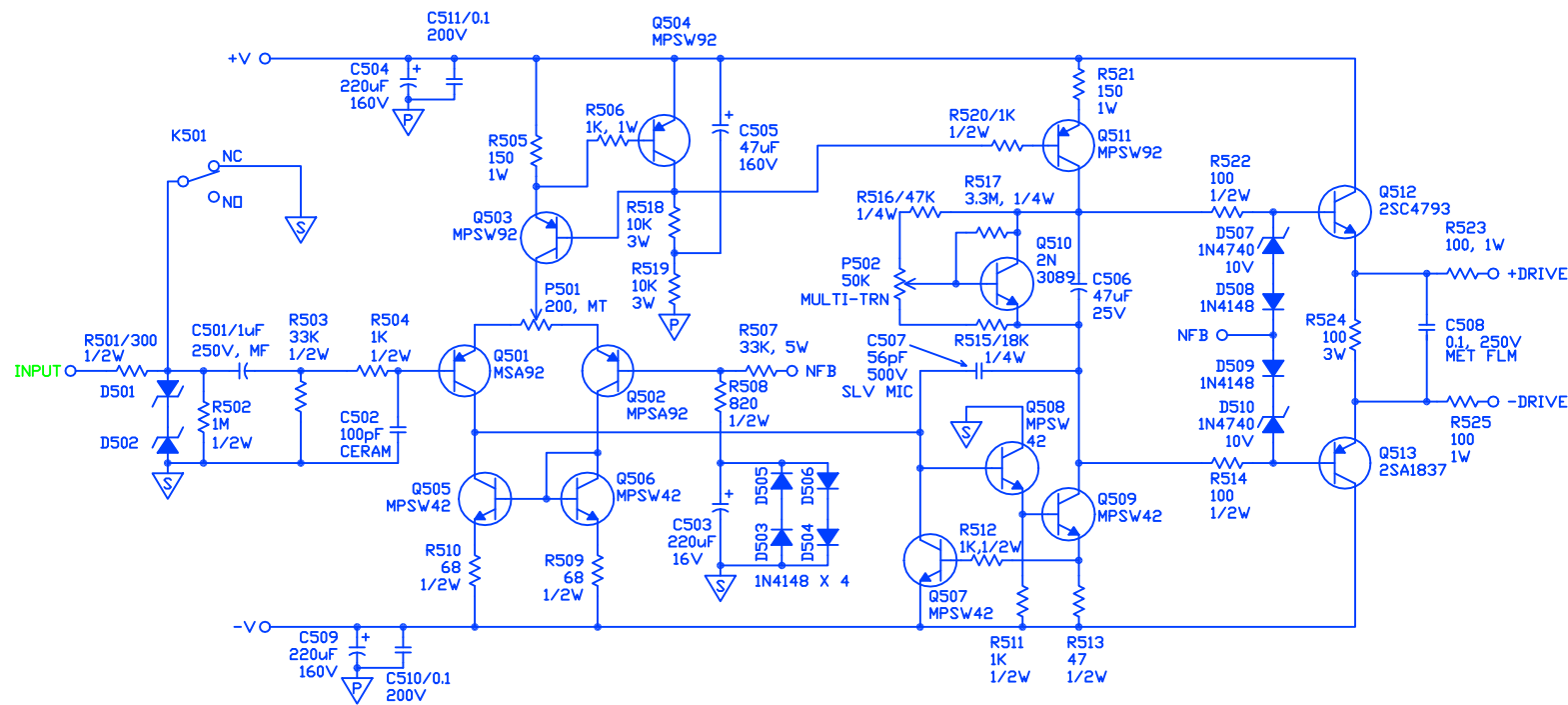
TEST CONDITIONS:
 ALL KNOBS @ 12 O'CLOCK
 DEEP OFF
 BRIGHT OFF
 PASSIVE SELECTED



- NOTES (unless otherwise specified)
1. All audio ground points from individual stages MUST have a separate trace returning to the star ground point.
 2. All opto-isolators are Silonex NSL-32SR2.
 3. All vacuum tubes are 9-pin. Tube heaters are pins 4 & 5. The tube heaters are all wired in parallel.



Aguilar Amplification			
DB750 PRE-AMP -- SCHEMATIC --			
REV	FROM NO.	DATE	REV
C		cF10010705	orig
DATE	FILE	SHEET	1/1



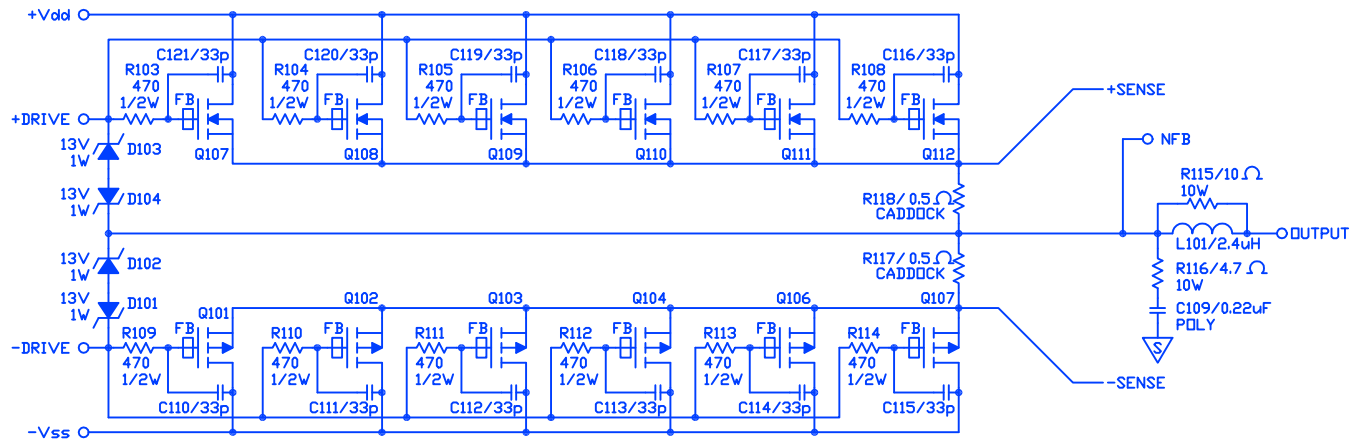
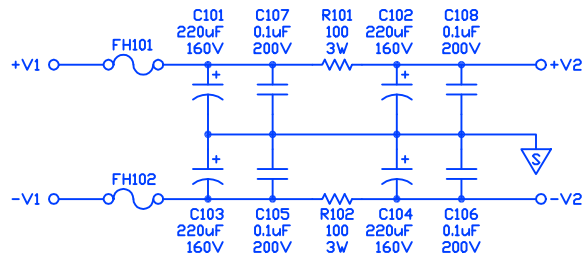
NOTES: (unless otherwise specified)

1. All resistors in ohms.
2. Q512 & Q513 mounted on heat sink.

J1	
1	+V
2	COIL
3	NFB
4	+DRIVE
5	+SENSE
6	COIL
7	-DRIVE
8	-SENSE
9	SIG GND
10	-V
11	PWR GND
12	SIG GND

<i>Aguilar Amplification, LLC</i>			
599 Broadway - 7th Floor, NY, NY 10012			
DB750 DRIVER BOARD			
-- SCHEMATIC --			
SIZE	FSCM NO.	DWG NO.	RE
		cF09010510	OR

REVISIONS				
ZONE	REV	DESCRIPTION	DATE	APPROVED

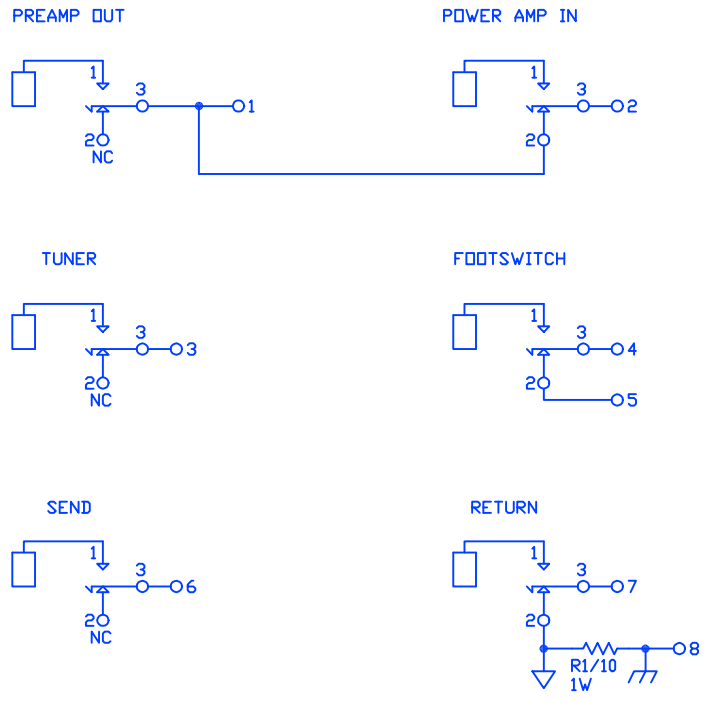


Aguilar Amplification, LLC			
599 Broadway - 7th Floor, NY, NY 10012			
OUTPUT/PWR SUPPLY BOARD -- SCHEMATIC --			
SIZE	FSCM NO.	DWG NO.	REV
		cF05070120	orig
SCALE	N/A	SHEET	

FNAME

REVDATE

USER

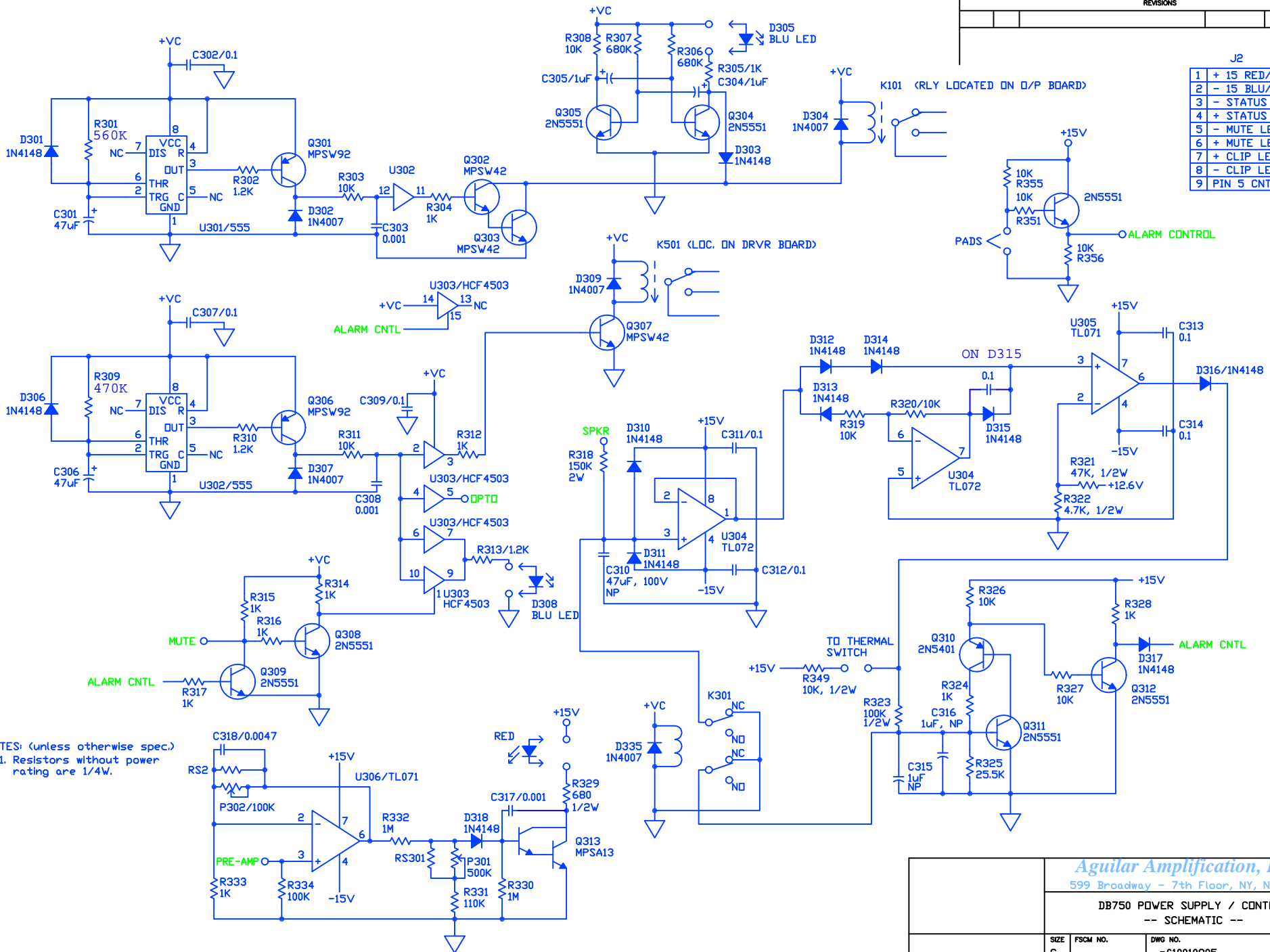


REVISIONS				
ZONE	REV	DESCRIPTION	DATE	APPROVED

<i>Aguilar Amplification</i>			
JACK BOARD -- SCHEMATIC --			
SIZE	FSCM NO.	DWG NO. cf10010305	REV ORIG
SCALE	NA	SHEET	1/1

J2

1	+ 15 RED/WHT
2	- 15 BLU/WHT
3	- STATUS LED
4	+ STATUS LED
5	- MUTE LED
6	+ MUTE LED
7	+ CLIP LED
8	- CLIP LED
9	PIN 5 CNTL



NOTES: (unless otherwise spec.)
 1. Resistors without power rating are 1/4W.

Aguilar Amplification, LLC

599 Broadway - 7th Floor, NY, NY 10012

DB750 POWER SUPPLY / CONTROL

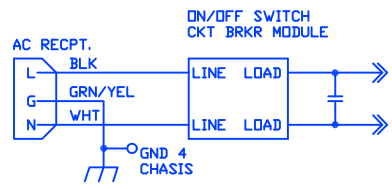
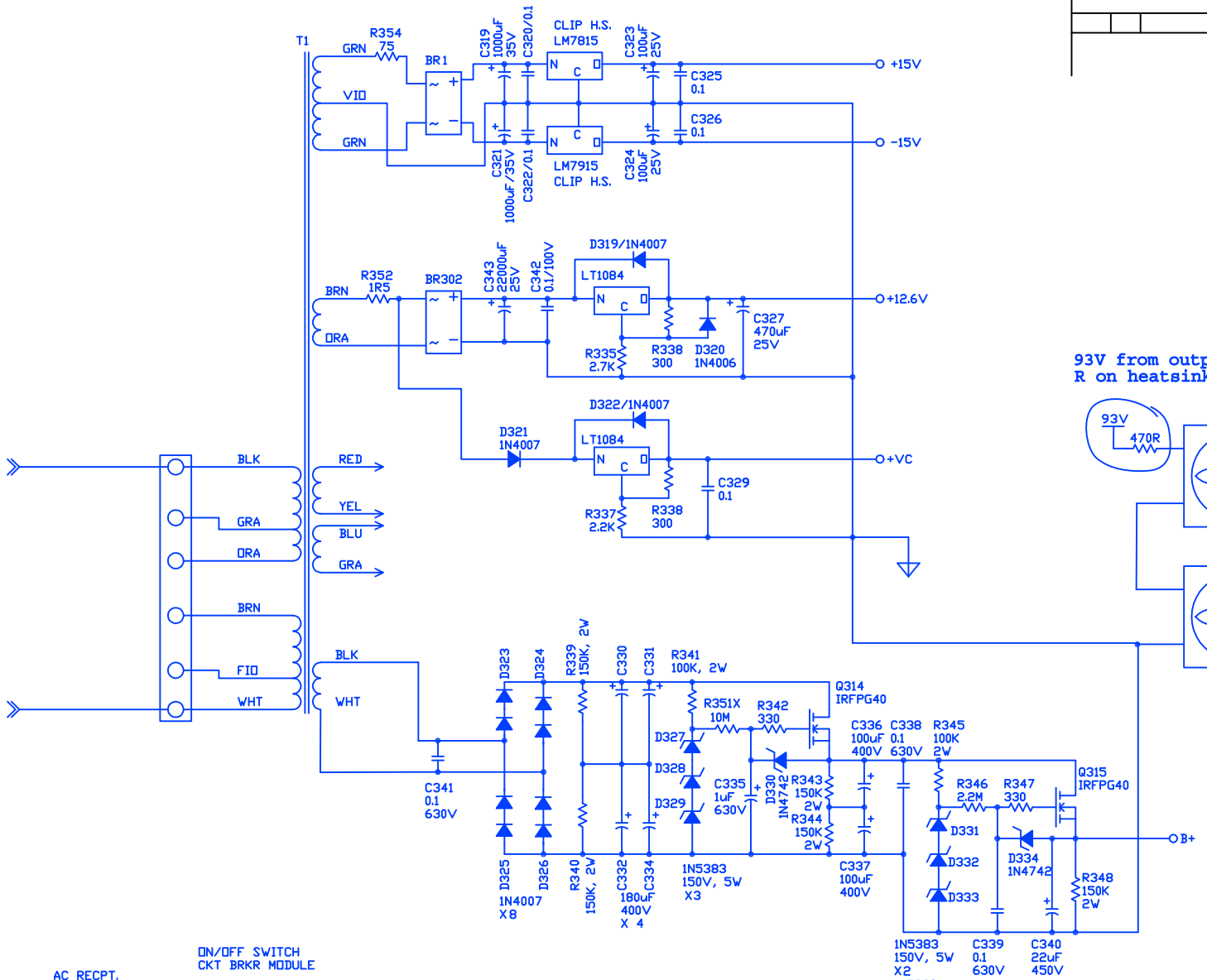
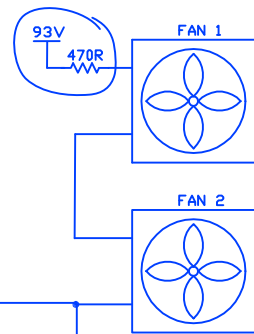
-- SCHEMATIC --

SIZE C	FIG. NO. C	DWG. NO. cf10010905	REV orig
SCALE N/A	SHEET 2/2		

REVISIONS		APPROVED

1	BLK
2	WHT
3	PUR
4	DRA
5	BRN
6	GRN
7	NC
8	NC
9	GRN

93V from output board R on heatsink



- D325 1N4007 X8
- D326 1N4007 X8
- R340 150K, 2W
- C332 180uF, 400V X4
- C334 150K, 2W
- D327 1N5383 X3
- C335 1uF, 630V
- D328 1N4742
- R343 150K, 2W
- R344 150K, 2W
- C337 100uF, 400V
- D329 1N4742
- R345 100K, 2W
- R346 2.2M
- R347 330
- D331 1N5383 X2
- D332 1N5380 X1
- D333 1N5380 X1
- C339 0.1, 630V
- C340 22uF, 450V
- R348 150K, 2W
- Q314 IRFPG40
- Q315 IRFPG40

Aguilar Amplification, LLC
599 Broadway - 7th Floor, NY, NY 10012

DB750 POWER SUPPLY / CTRL
-- SCHEMATIC --

SIZE	FSCM NO.	DWG NO.	REV
C		cF09010510	orig

SCALE N/A SHEET 1/2

FN:NAME

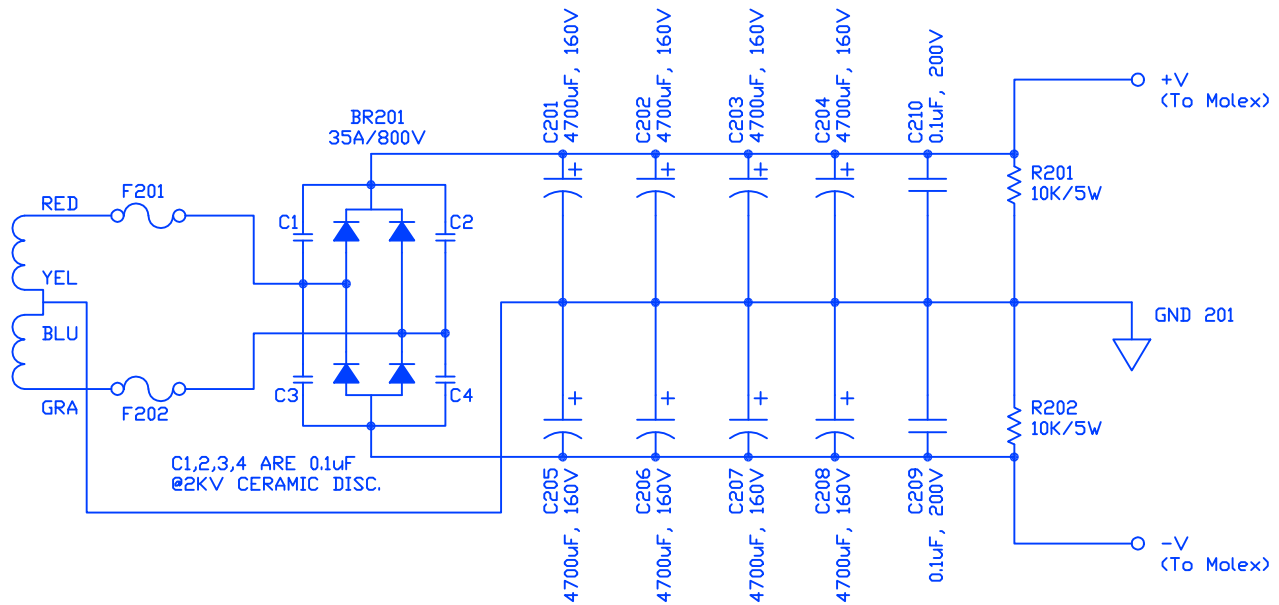
REV:DATE

USER

FNAME

REVDATE

USER



REVISIONS				
ZONE	REV	DESCRIPTION	DATE	APPROVED

Aguilar Amplification, LLC 599 Broadway - 7th Floor, NY, NY 10012			
RESERVOIR BOARD -- SCHEMATIC --			
SIZE	FSCM NO.	DWG NO.	REV
		CF05070105	ORIG
SCALE	N/A	SHEET	01 of 01