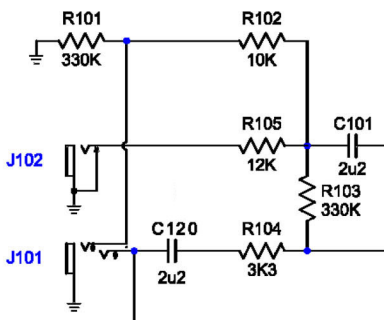
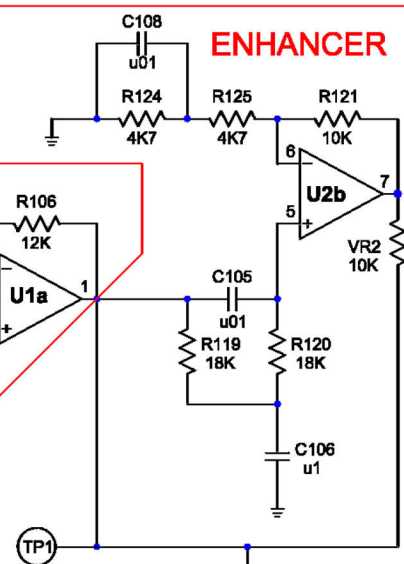


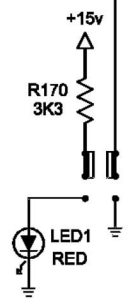
PREAMP



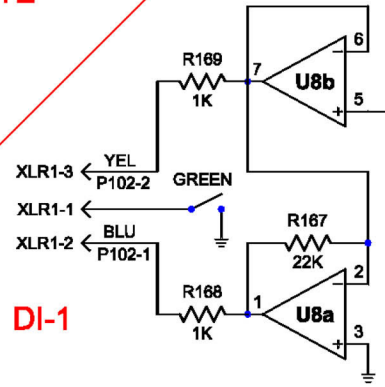
ENHANCER



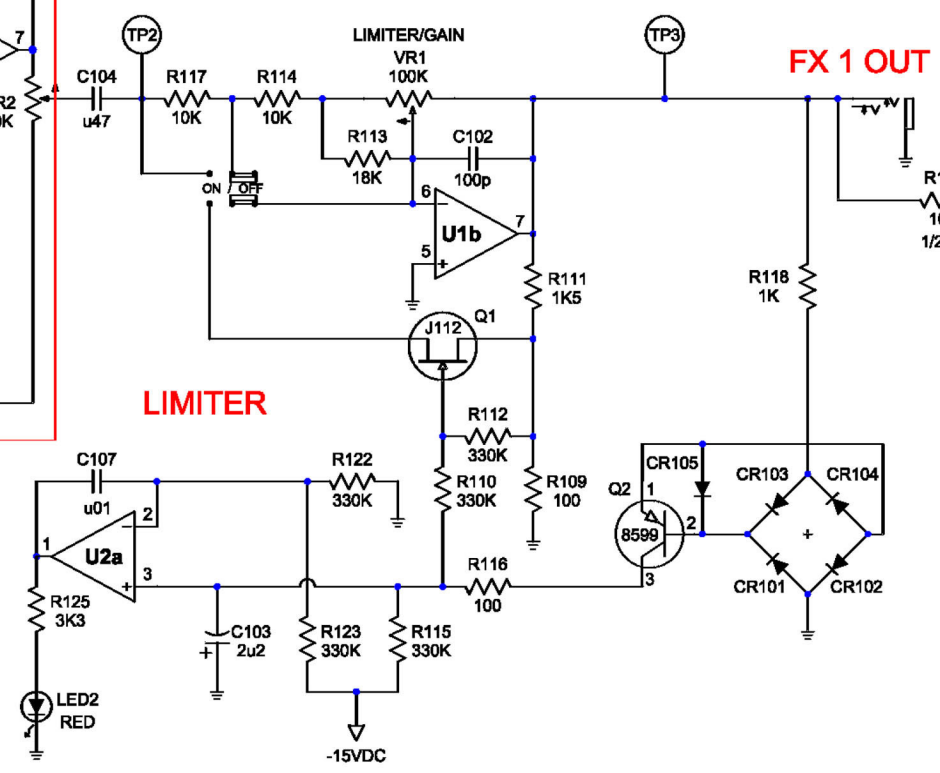
MUTE



DI-1

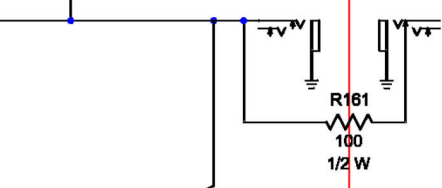


LIMITER



FX 1 OUT

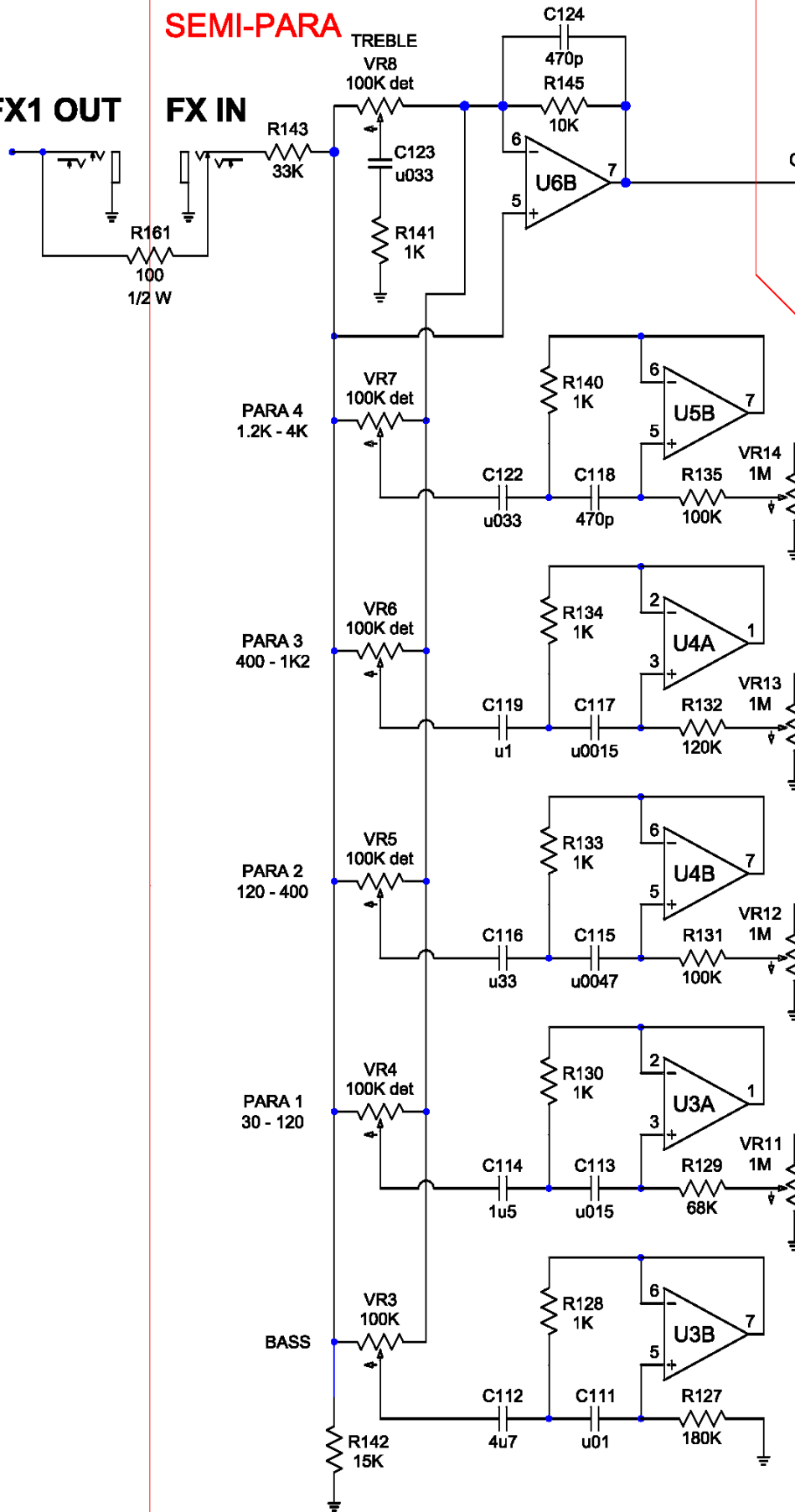
FX 1 IN



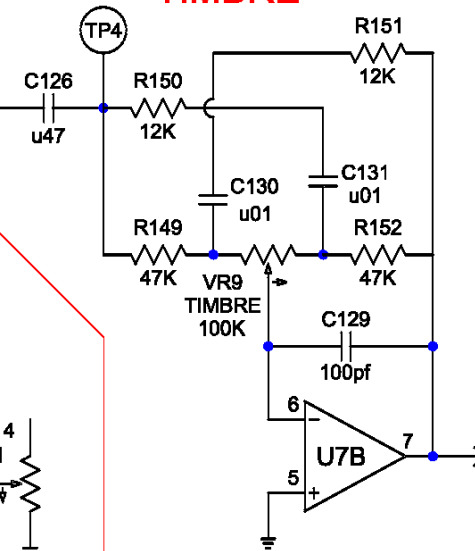
SEMI-PARA

FX1 OUT

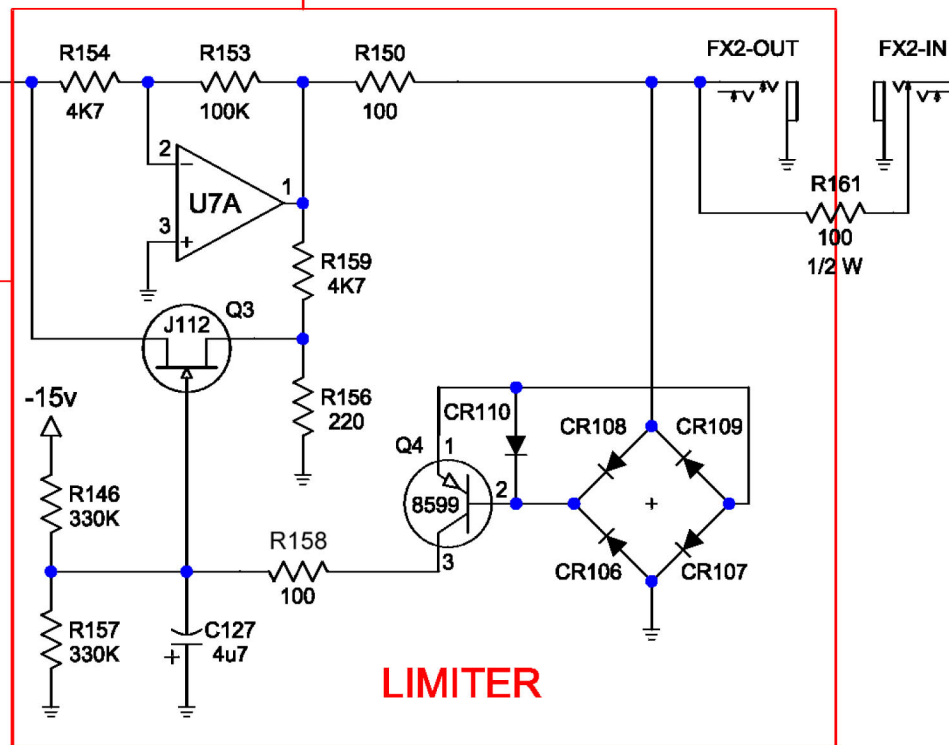
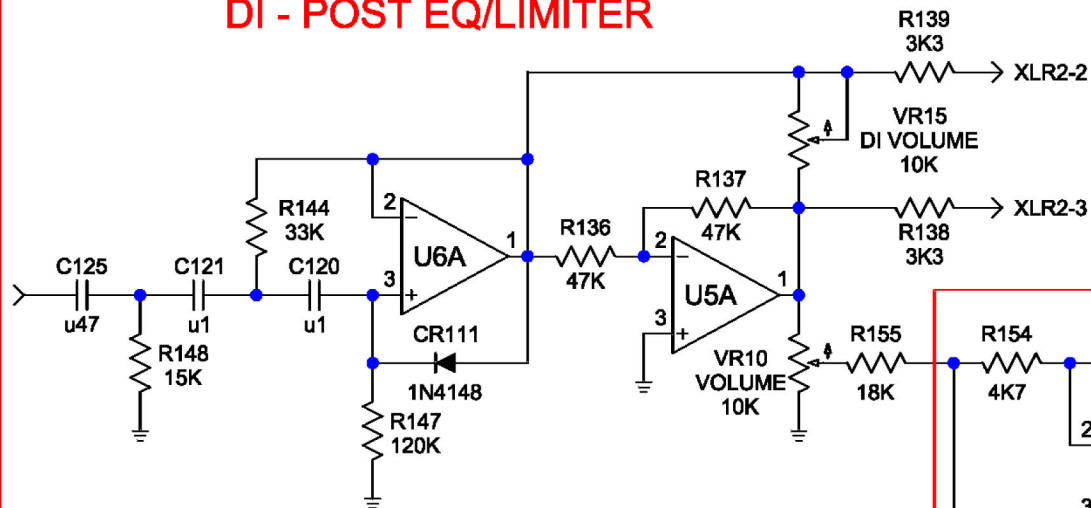
FX IN



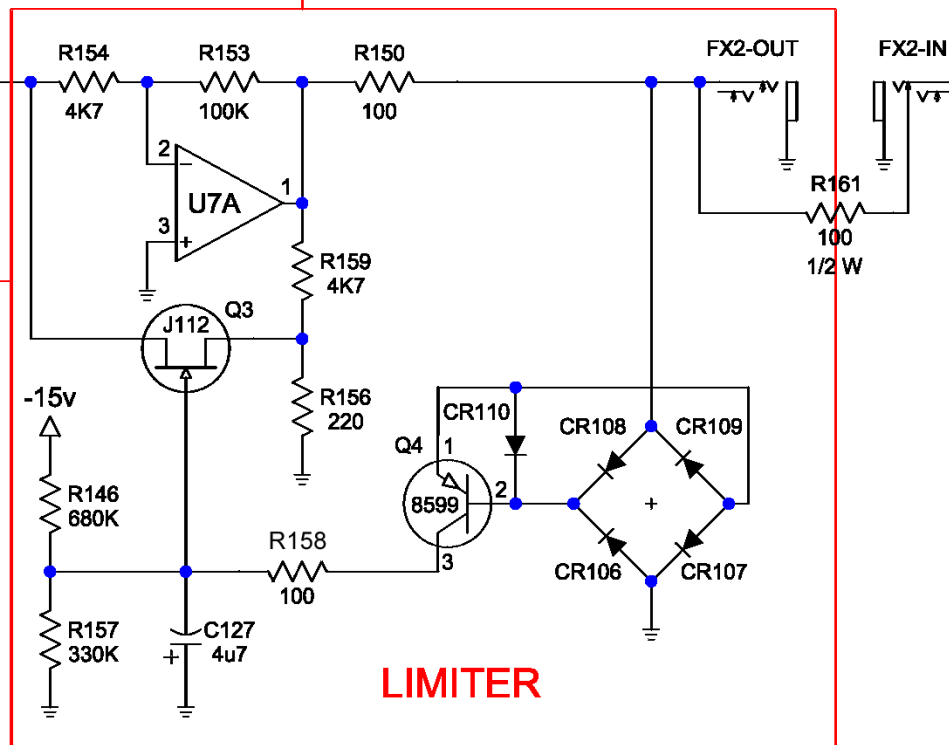
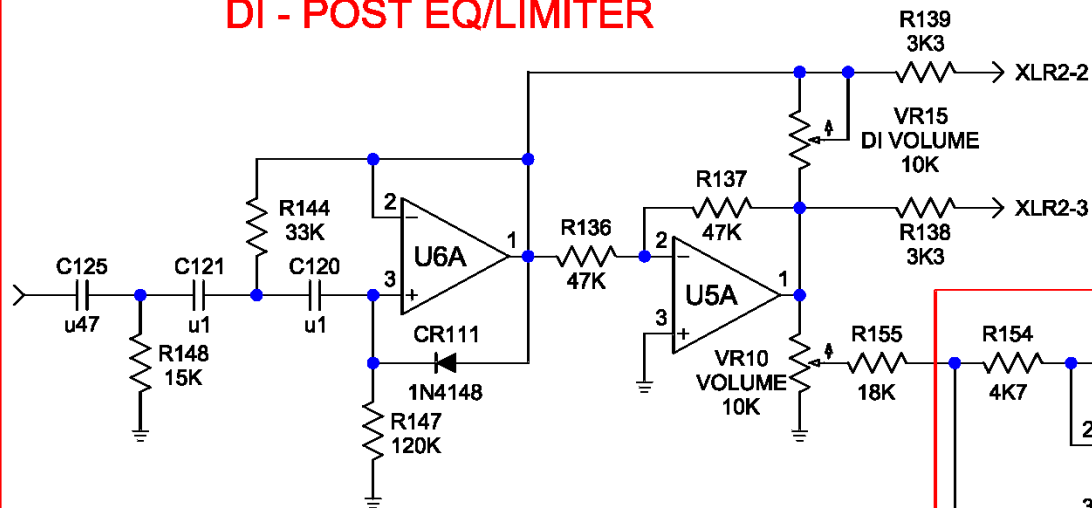
TIMBRE

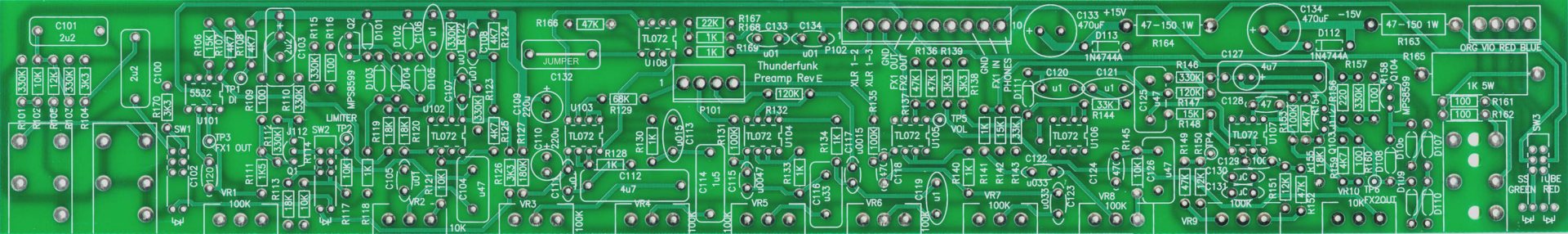


DI - POST EQ/LIMITER



DI - POST EQ/LIMITER



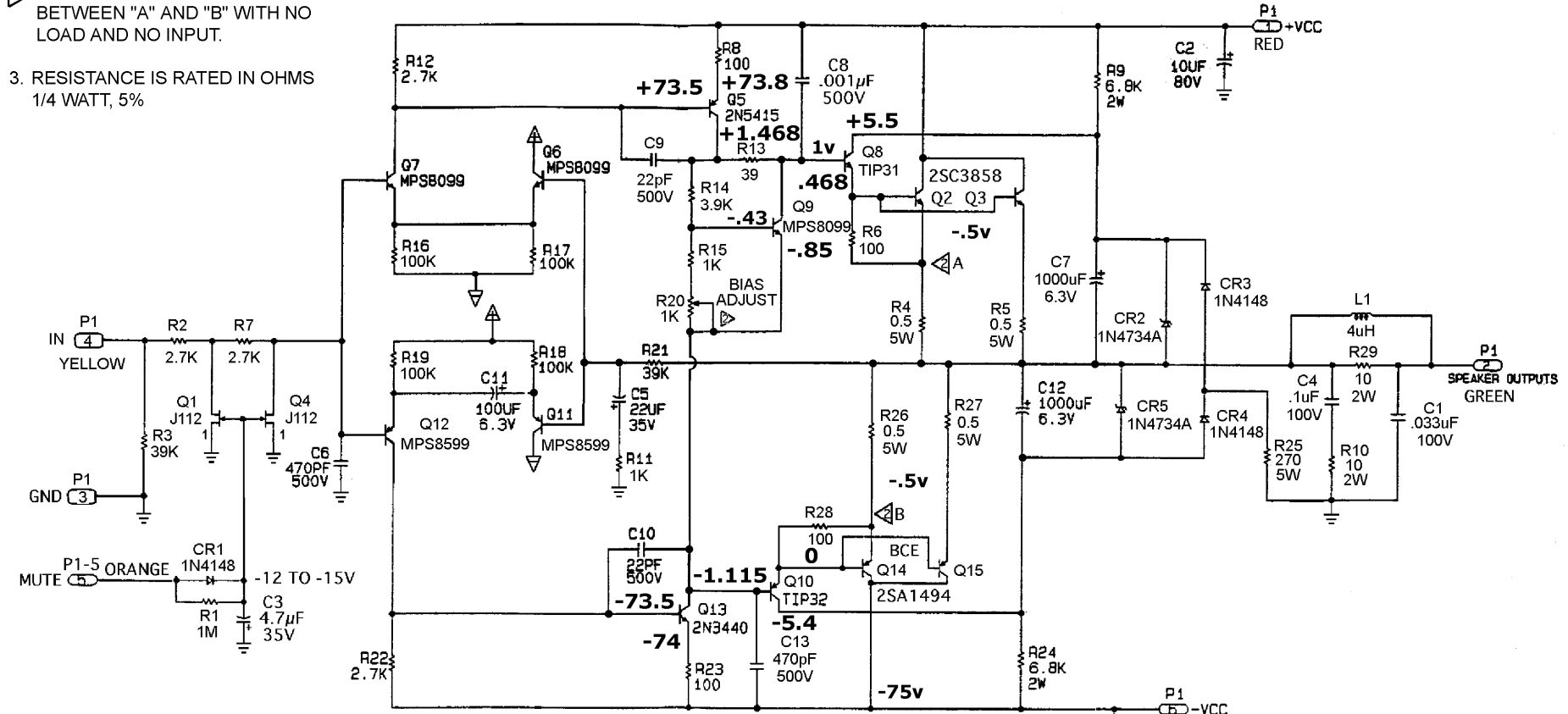


REVISION	DESCRIPTION	APPROVED
A	INITIAL RELEASE 9/2/2003	
B		

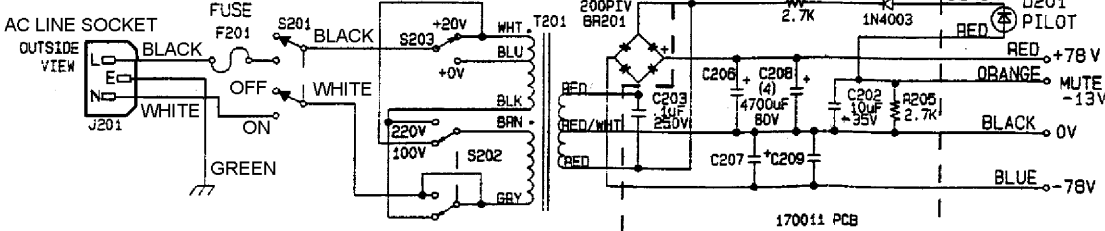
NOTES: UNLESS OTHERWISE SPECIFIED

▶ SET BIAS ADJUST FOR 7mVDC BETWEEN "A" AND "B" WITH NO LOAD AND NO INPUT.

3. RESISTANCE IS RATED IN OHMS
1/4 WATT, 5%

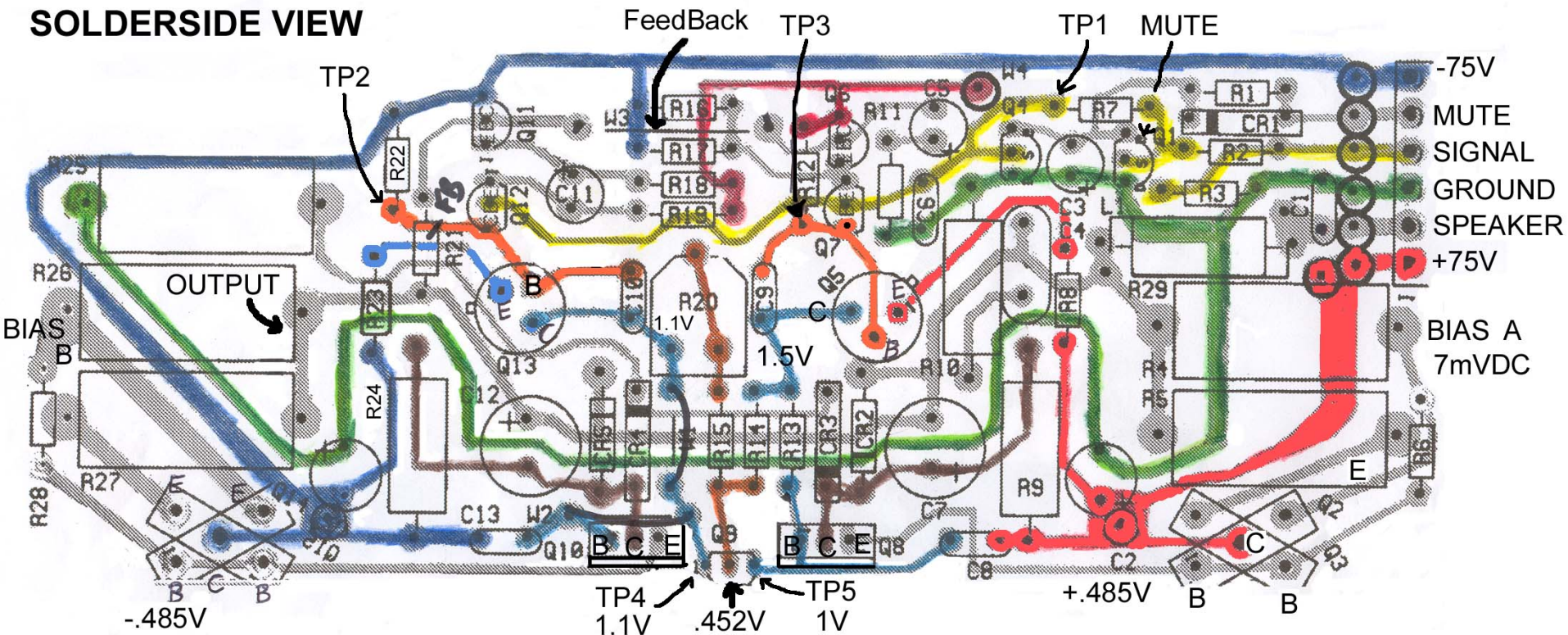


PCB 171010 120 VAC USE 5A SLO BLO
240 VAC USE 2.5A SLO BLO



SCHEMATIC TFB420 POWER AMP			
NAME	DATE	DWG NO.	REV
DTF	9/2/03	TFB420-002	A
SCALE: NONE		SH. 1 OF 1	

SOLDERSIDE VIEW



New Style AMP BH-420, Gibson GB-440, Thunderfunk TFB420, TFB550 & Eden WT-500 Power Amps